

**THREE-WAY DIVERTER VALVE
K-9518**

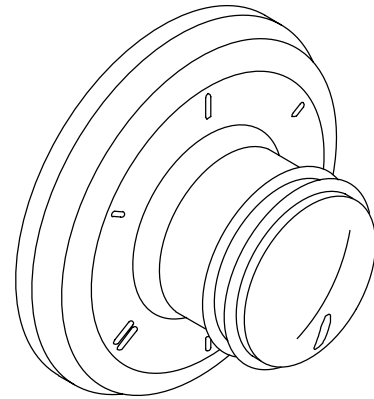
FEATURES

- Brass construction
- Wall-mount
- Permits three outlets to be interconnected
- Selection of one or any two of the three outlet combinations
- Accessory for Kohler bath and shower supply valves

CODES/STANDARDS APPLICABLE

Specified model meets or exceeds the following:

- ASME/ANSI A112.18.1M
- IAPMO/UPC



COLORS/FINISHES

- CP Polished Chrome
- PB Polished Brass
- Other Refer to Faucets Price Book for additional finish

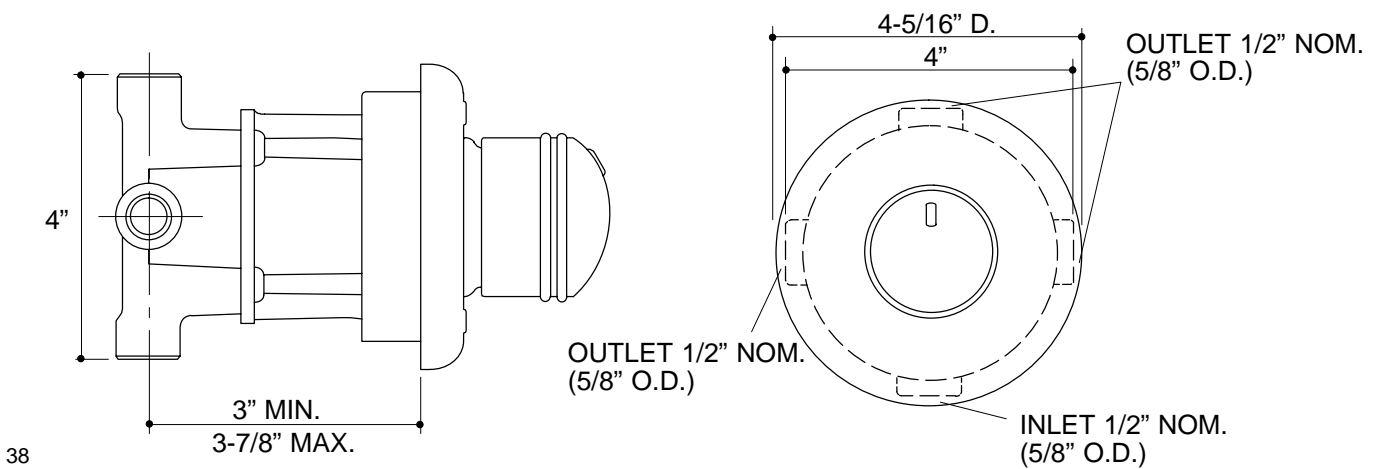
SPECIFIED MODEL:

Model	Description			
K-9518	MasterShower Three-Way Diverter Valve	<input type="checkbox"/> CP	<input type="checkbox"/> PB	<input type="checkbox"/> Other_____

PRODUCT SPECIFICATION:

Wall-mount diverter valve shall be of brass construction. MasterShower three-way diverter valve permits three outlets to be interconnected, allowing user to dial a selection of any one outlet or a combination of any two. Valve shall be installed with any Kohler bath and shower supply valve. Valve shall be Kohler Model K-9518-_____.

Roughing-In Notes
When roughing-in with thin facing, leave plaster shield on to add stability. Do not remove the plaster shield from the valve until instructed to do so.
For proper handle fit, finished wall must align within depth (front to back) of installed plaster guard. Roughing-in depth min. = 3", max. = 3-7/8".



38

PRODUCT DIAGRAM