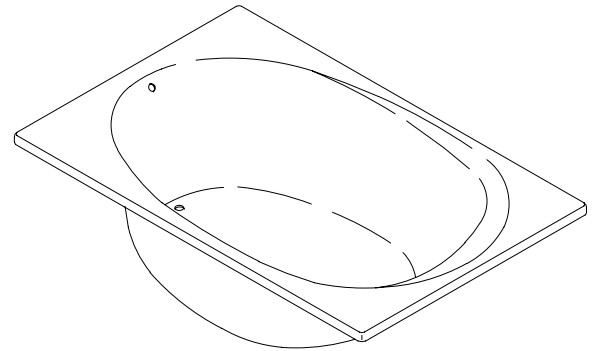


FEATURES

- 72" x 48" x 23"
- Acrylic



CODES/STANDARDS APPLICABLE

Specified model meets or exceeds the following:

- ANSI Z124.1
- IAPMO/UPC
- Canadian Standards Association (CSA)
- State of Massachusetts

COLORS/FINISHES

- 0 White
- Other Refer to Fixtures Price Book for additional colors

Accessories:

- CP Polished Chrome
- PB Polished Brass
- Other Refer to Faucets Price Book for additional finishes
- NA None Applicable

SPECIFIED MODEL:

Model	Description	Colors/Finishes		
K-1222	Bath	<input type="checkbox"/> 0 White	<input type="checkbox"/> Other_____	
Recommended Accessories				
K-7161-AF	Drain	<input type="checkbox"/> CP	<input type="checkbox"/> PB	<input type="checkbox"/> Other_____
Optional Accessories				
K-1223	Apron (non-removable)	<input type="checkbox"/> 0 White	<input type="checkbox"/> Other_____	
K-1179	Vinyl tiling-in bead (use when wall material contacts any top surface of bath)	<input type="checkbox"/> NA		

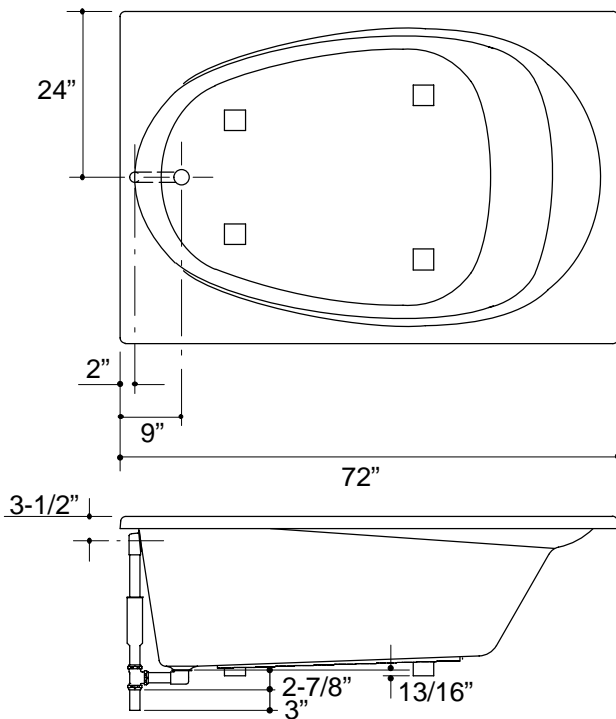
PRODUCT SPECIFICATION:

The bath shall be 72" in length, 48" in width, and 23" in height. Bath shall be made of acrylic. Bath shall be Kohler Model K-1222-_____.

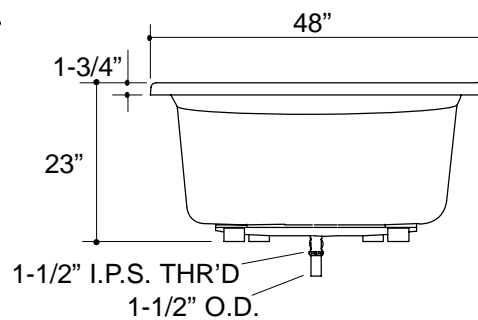
SEADREAM™

PRODUCT INFORMATION

Fixture*:	basin area	top area	weight
Bathing well	47" x 37"	67" x 42"	92 lbs.
	water depth	capacity	
To overflow	16-7/8"	122 gal.	
* Approximate measurements for comparison only.			



Roughing-In Notes	
No change in measurements if connected with drain illustrated.	
Cut-out	70-1/4" x 46-1/4"



1.15>132

PRODUCT DIAGRAM