

### Ordering Information

Accessories/hardware:		
Drain	K-7161-AF	recommended
Apron	K-1223	optional
Vinyl tiling-in bead*	K-1179	optional

\*Use K-1179 vinyl bead when wall material contacts any top surface of bath.

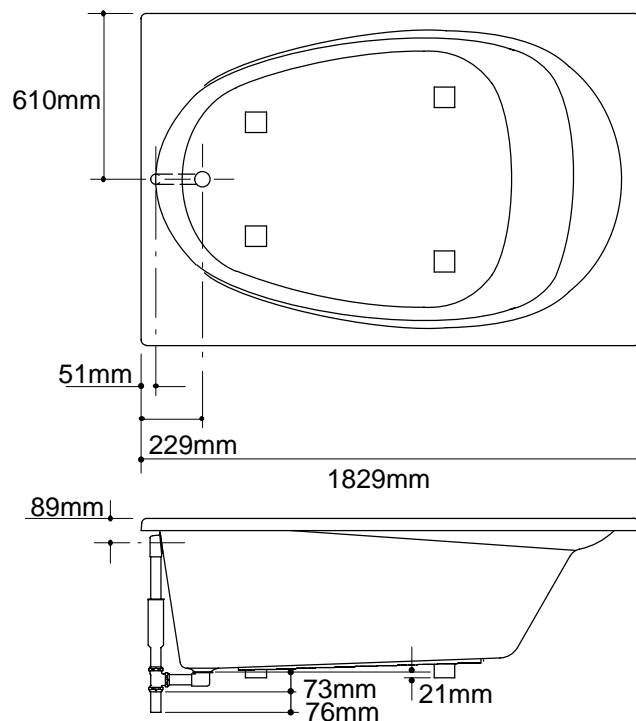
### Product Information

Fixture*:	basin area	top area	weight
Bathing well	1194 x 940mm	1702 x 1067mm	42 Kg.
	water depth	capacity	
To overflow	429mm	462 litres	

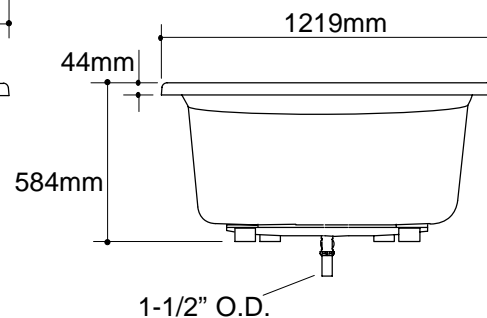
\* Approximate measurements for comparison only.

### Installation Notes

Refer to installation instructions included with fixture before beginning installation.



Roughing-In Notes	
Fixture dimensions are nominal and conform to tolerances in ANSI Standard Z124.1.	
No change in measurements if connected with drain illustrated.	
Cut-out	1784 x 1175mm



1.15>132

**K-1222** Seadream<sup>™</sup> Bath  
111324-1M-AA (9631)

# KOHLER<sup>®</sup>