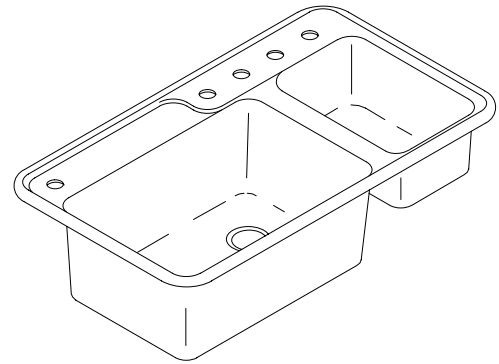


FEATURES

- 38" x 22"
- Cast iron
- Acid resistant enamel finish
- Self-rimming
- Double (high/low) compartment
- 4-hole (K-5982-4), or 5-hole (K-5982-5) drilling



CODES/STANDARDS APPLICABLE

Specified model meets or exceeds the following:

- ASME/ANSI A112.19.1M
- IAPMO/UPC
- State of Massachusetts

COLORS/FINISHES

- 0 White
- Other Refer to Fixtures Price Book for additional colors

Accessories:

- CP Polished Chrome
- NA None Applicable
- Other Refer to Price Book for additional colors

SPECIFIED MODEL:

Model	Description	Colors/Finishes	
K-5982-4	4-hole sink	<input type="checkbox"/> 0 White	<input type="checkbox"/> Other_____
K-5982-5	5-hole sink	<input type="checkbox"/> 0 White	<input type="checkbox"/> Other_____

Recommended Accessories			
K-9000	Trap		<input type="checkbox"/> CP
Optional Accessories			
K-5984	Hardwood cutting board		<input type="checkbox"/> NA
K-6012	Bottom basin rack (for left basin only)	<input type="checkbox"/> 0 White	<input type="checkbox"/> Other_____
K-6519	Wire rinse basket (for right basin only)	<input type="checkbox"/> 0 White	<input type="checkbox"/> Other_____
K-8801	Duostrainer sink strainer	<input type="checkbox"/> CP	<input type="checkbox"/> Other_____

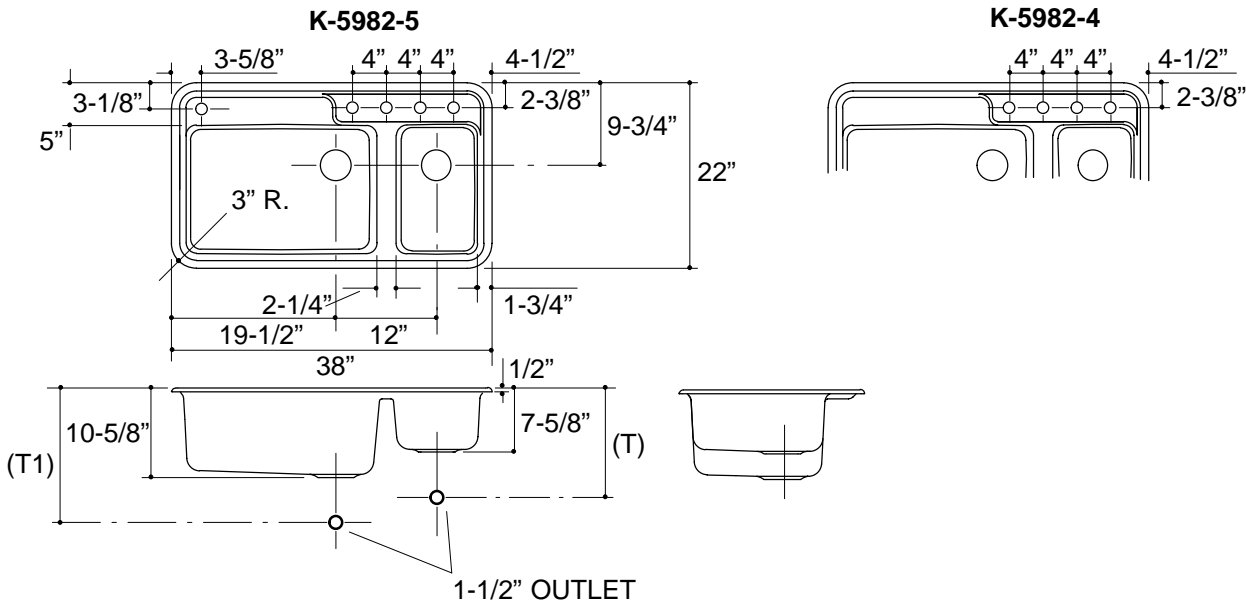
PRODUCT SPECIFICATION:

The self-rimming sink shall be 38" in length, and 22" in width. Sink shall be made of cast iron with acid resistant enamel finish. Sink shall be double (high/low) compartment. Sink shall be 4-hole (K-5982-4), or 5-hole (K-5982-5) drilled. Sink shall be Kohler Model K-5982-_____-_____.

PRODUCT INFORMATION

Fixture*:		basin area	water depth
Sink, small		10" x 15"	6"
Sink, large		23" x 15"	9"
Outlets	3-5/8" D.		
Faucet holes	1-3/8" D.		

* Approximate measurements for comparison only.



Roughing-In Notes	
(T)	Drain typically 14".
(T1)	Drain typically 16".
Cutout	36-1/2" x 20-1/2" with 2" radius corners.

.7<116

PRODUCT DIAGRAM