

Ordering Information

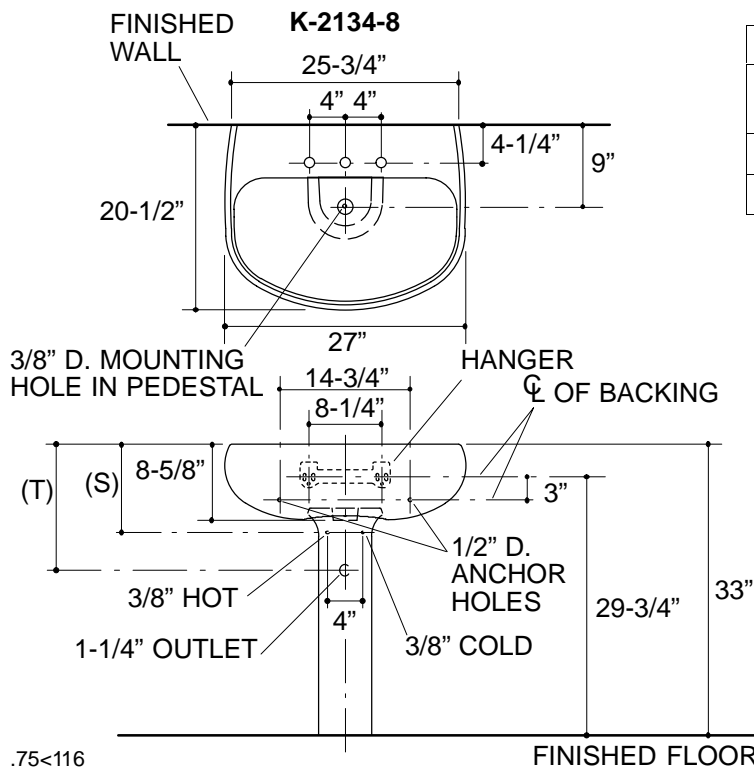
Applicable product:		
8" centers lavatory	K-2134-8	shown
4" centers lavatory	K-2134-4	not shown
Single-hole lavatory	K-2134-1	not shown
Accessories/hardware		
Lavatory supplies, 3/8"	K-7605-P	recommended

Product Information

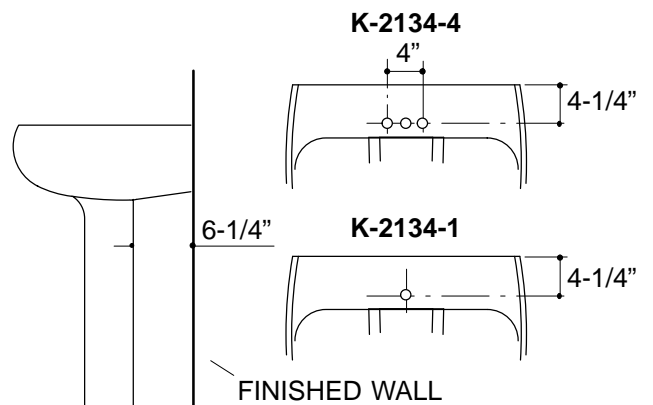
Fixture*:		basin area	water depth
Lavatory		26" x 13"	6-3/4"
Outlet	1-3/4" D.		
* Approximate measurements for comparison only.			

Holes	K-2134-4	K-2134-8	K-2134-1
Spout	1-3/16" D.	1-3/16" D.	1-3/8" D.
Faucet	1-3/16" D.	1-3/8" D.	

Included Components:	
Lavatory basin, 4" centers	K-2131-4
Lavatory basin, 8" centers	K-2131-8
Lavatory basin, single-hole	K-2131-1
Pedestal	K-2147
Hanger	64839
Rubber pads	63069



Roughing-In Notes
Fixture dimensions are nominal and conform to tolerances in ASME Standard A112.19.2M.
(T) Pop-up drain 13".
(S) 10" (Based on 12" riser which may require cutting).



.75<116