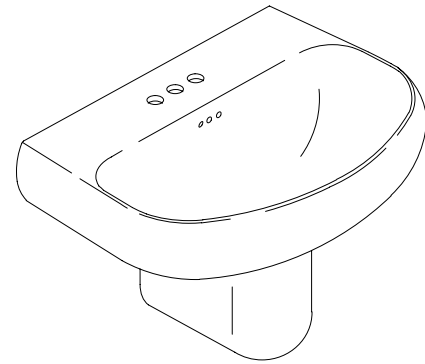


FEATURES

- 27" x 20-1/2"
- Vitreous china
- Wall-mount
- 4" centers (K-2153-4), 8" centers (K-2153-8) or single-hole (K-2153-1) drilling



CODES/STANDARDS APPLICABLE

Specified model meets or exceeds the following:

- ASME/ANSI A112.19.2M
- IAPMO/UPC
- State of Massachusetts

COLORS/FINISHES

- 0 White
- Other Refer to Fixtures Price Book for additional colors

Accessories:

- CP Polished Chrome
- Other Refer to Faucets Price Book for additional finishes

SPECIFIED MODEL:

Model	Description	Colors/Finishes	
K-2153-4	4" centers lavatory	<input type="checkbox"/> 0 White	<input type="checkbox"/> Other_____
K-2153-8	8" centers lavatory	<input type="checkbox"/> 0 White	<input type="checkbox"/> Other_____
K-2153-1	Single-hole lavatory	<input type="checkbox"/> 0 White	<input type="checkbox"/> Other_____

Recommended Accessories			
K-7605-P	Lavatory supplies 3/8" (pair)	<input type="checkbox"/> CP	<input type="checkbox"/> Other_____
K-8998	Trap	<input type="checkbox"/> CP	<input type="checkbox"/> Other_____

PRODUCT SPECIFICATION:

The wall-mount lavatory shall be 27" in length, and 20-1/2" in width. Lavatory shall be made of vitreous china. Lavatory shall have 4" centers (K-2153-4), 8" centers (K-2153-8) or single-hole (K-2153-1) drilling. Lavatory shall be Kohler Model K-2153-_____-_____.

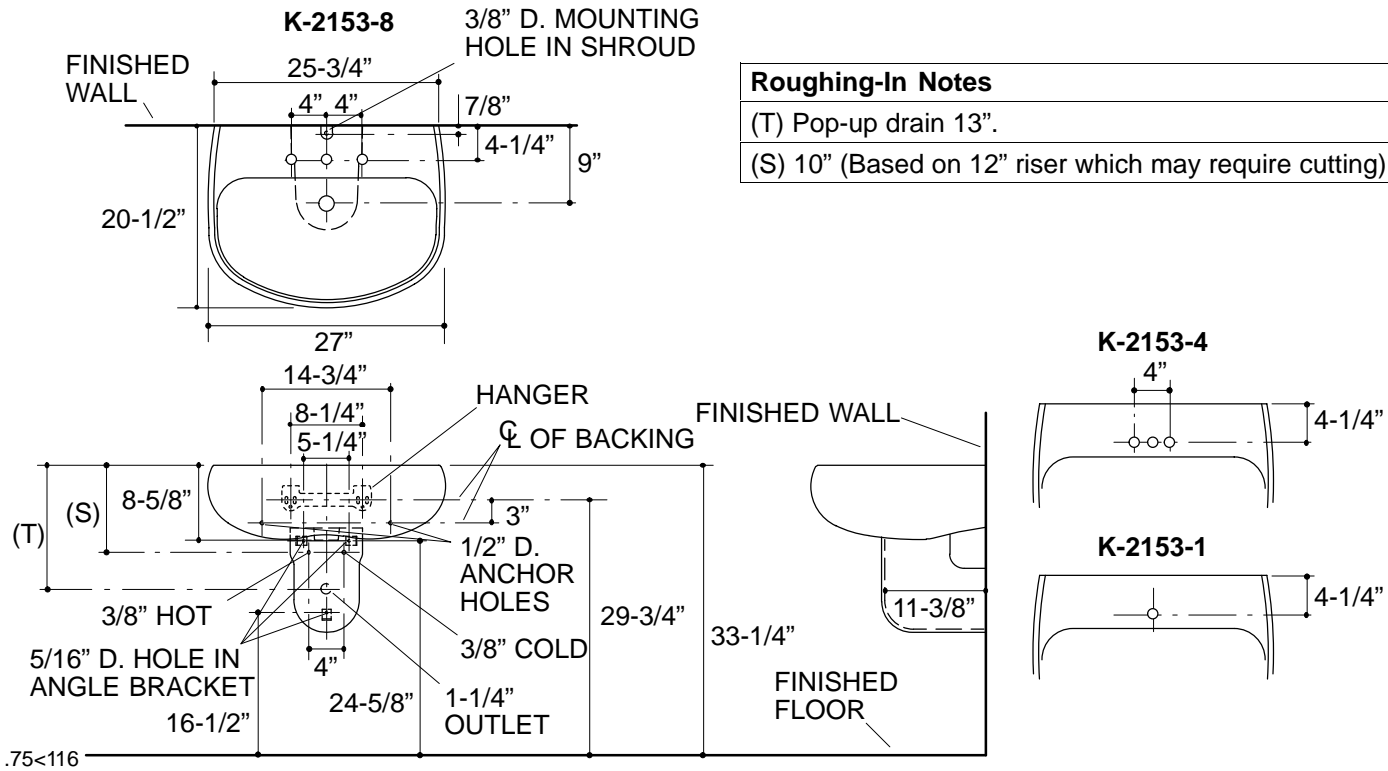
CABERNET™

PRODUCT INFORMATION

Fixture*:		basin area	water depth
Lavatory		26" x 13"	6-3/4"
Outlet	1-3/4" D.		
* Approximate measurements for comparison only.			

Holes	K-2153-4	K-2153-8	K-2153-1
Spout	1-3/16" D.	1-3/16" D.	1-3/8" D.
Faucet	1-3/16" D.	1-3/8" D.	

Included Components:	
Lavatory basin, 4" centers	K-2131-4
Lavatory basin, 8" centers	K-2131-8
Lavatory basin, single-hole	K-2131-1
Shroud	K-2171
Shroud accessory pack	80265
Hanger	64839
Rubber pads	63069



ROUGHING-IN NOTES
(T) Pop-up drain 13".
(S) 10" (Based on 12" riser which may require cutting).

PRODUCT DIAGRAM