

COUNTERTOP LAVATORY

K-2179

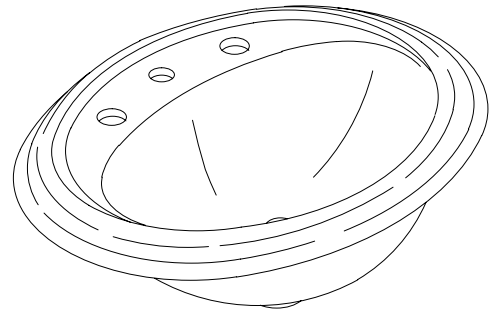
FEATURES

- 24-1/8" x 18-3/8"
- Vitreous china
- Self-rimming
- Circular pattern on rim
- 8" centers (K-2179-8), or single-hole (K-2179-1) drilling
- With overflow
- With sealant

CODES/STANDARDS APPLICABLE

Specified model meets or exceeds the following:

- ASME/ANSI A112.19.2M
- IAPMO/UPC
- Canadian Standards Association (CSA)



COLORS/FINISHES

- 0 White
- Other Refer to Fixtures Price Book for additional colors

Accessories:

- CP Polished Chrome
- Other Refer to Faucets Price Book for additional finishes

SPECIFIED MODEL:

Model	Description	Colors/Finishes	
K-2179-8	8" centers lavatory	<input type="checkbox"/> 0 White	<input type="checkbox"/> Other_____
K-2179-1	Single-hole lavatory	<input type="checkbox"/> 0 White	<input type="checkbox"/> Other_____

Recommended Accessories			
K-8998	Trap	<input type="checkbox"/> CP	<input type="checkbox"/> Other_____

PRODUCT SPECIFICATION:

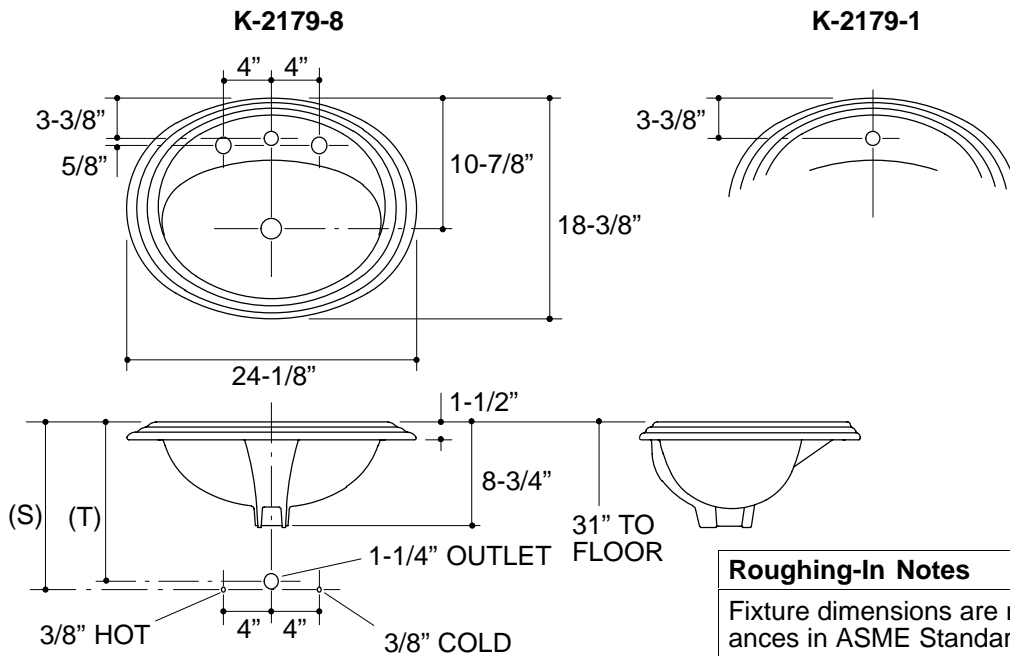
The self-rimming countertop lavatory shall be 24-1/8" in length, and 18-3/8" in width. Lavatory shall be made of vitreous china. Lavatory shall have a circular pattern on rim. Lavatory shall have 8" centers (K-2179-8), or single-hole (K-2179-1) drilling. Lavatory shall have overflow. Lavatory shall include sealant. Lavatory shall be Kohler Model K-2179-_____ - _____.

PRODUCT INFORMATION

Fixture*:		basin area	water depth
Lavatory		18" x 12"	5"
Outlet	1-3/4" D.		
* Approximate measurements for comparison only.			

Holes	K-2179-8	K-2179-1	
Spout	1-3/16" D.	1-3/8" D.	
Faucet	1-3/8" D.		

Included Components:	
Adhesive sealant	63034
Adjustable linkage	40372
Cutout template	111531



Roughing-In Notes

Fixture dimensions are nominal and conform to tolerances in ASME Standard A112.19.2M.

(T) Pop-up drain 13-5/16".

(S) 14" (Based on 12" riser which may require cutting).

PRODUCT DIAGRAM