

Ordering Information

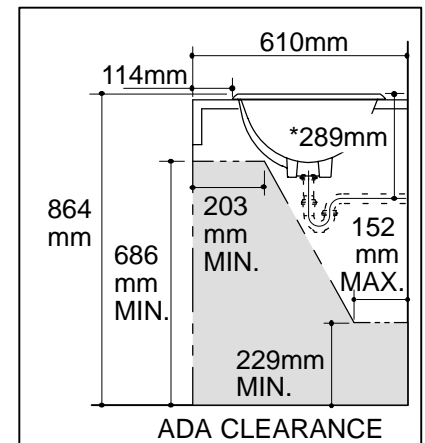
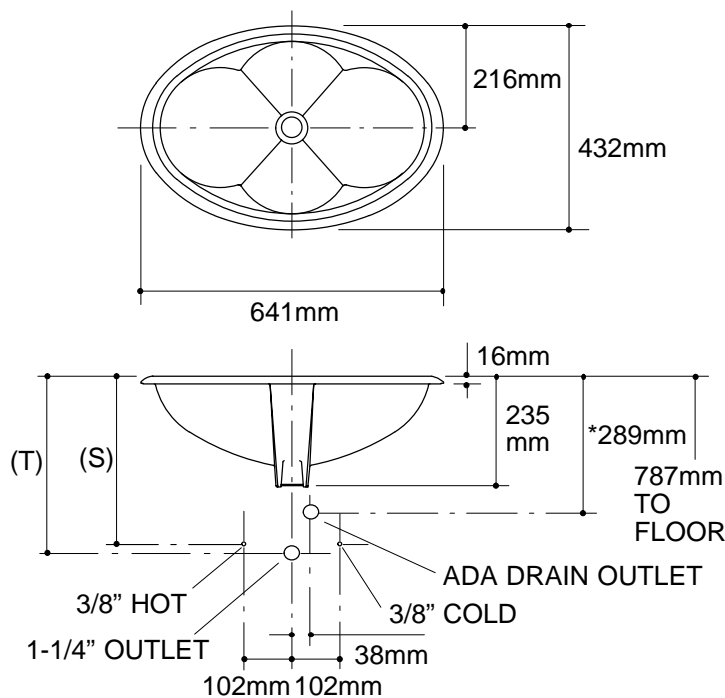
| | | |
|-----------------------|--------|-------------|
| Applicable product: | | |
| Lavatory | K-2199 | shown |
| Accessories/hardware: | | |
| Trap | K-8998 | recommended |

Product Information

| | | | |
|---|-------|-------------|-------------|
| ADA compliant. | | | |
| Fixture*: | | basin area | water depth |
| Lavatory | | 559 x 356mm | 137mm |
| Outlet | Ø44mm | | |
| * Approximate measurements for comparison only. | | | |
| Included Components: | | | |
| Adhesive sealant | | | 63034 |
| Adjustable linkage | | | 40372 |
| Cutout template | | | 111539 |

Installation Notes

Refer to installation instructions included with fixture before beginning installation.



Roughing-In Notes

Fixture dimensions are nominal and conform to tolerances in ASME Standard A112.19.2M.

*Based on K-8998, with 25mm tailpiece exposed.

(T) Pop-up drain 378mm.

(S) 356mm (Based on 305mm riser which may require cutting).