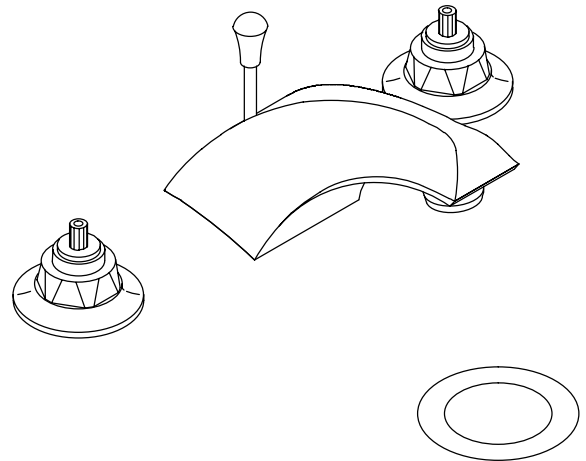


CORALAIS™ DECORATOR SERIES

**LAVATORY BASE FAUCET
K-15815-K**

FEATURES

- Metal construction
- Flexible connections
- Reversible quarter-turn washerless ceramic disc valves
- 3-3/4" spout
- 2.0 gallons per minute
- Pop-up drain with lift rod and tailpiece
- Variety of handle style options



CODES/STANDARDS APPLICABLE

Specified model meets or exceeds the following:






- ASME/ANSI A112.18.1M
- CSA B125
- Energy Policy Act of 1992
- NSF 61

COLORS/FINISHES

- CP Polished Chrome
- PB Polished Brass

SPECIFIED MODEL: For complete faucet, both base faucet and handle choice must be specified.

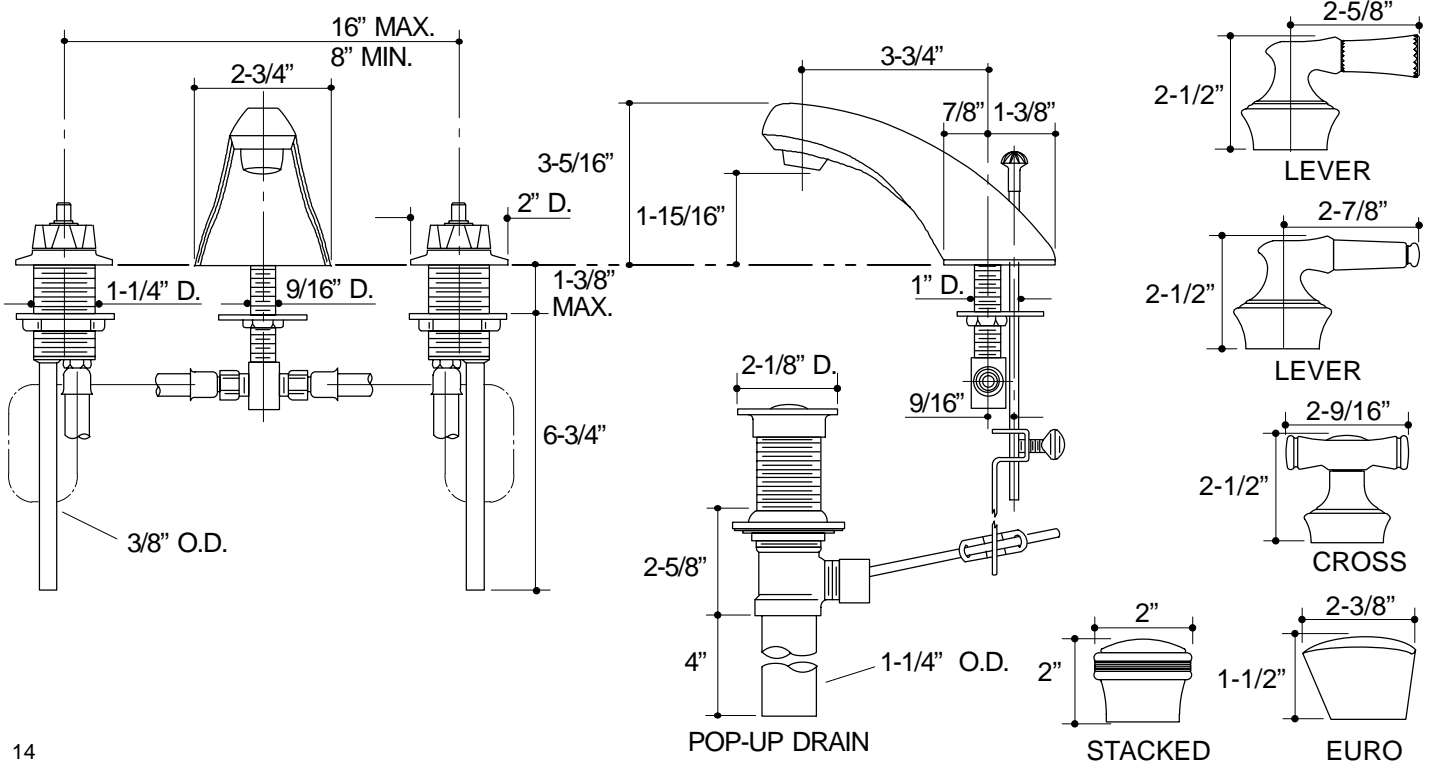
Model	Description		
K-15815-K	Coralais Decorator Series Widespread Lavatory Base Faucet	<input type="checkbox"/> CP	<input type="checkbox"/> PB

Required Accessory (Includes Two Handles)						
K-15850-1	Euro	<input type="checkbox"/> CP <input type="checkbox"/> PB				
K-15850-3D	White Porcelain Cross, ©Disney		<input type="checkbox"/> CP			
K-15850-3P	White Porcelain Cross		<input type="checkbox"/> CP <input type="checkbox"/> PB			
K-15850-4M	Lever, Polished Chrome Insert			<input type="checkbox"/> CP <input type="checkbox"/> PB		
K-15850-4N	Lever, Polished Brass Insert			<input type="checkbox"/> CP <input type="checkbox"/> PB		
K-15850-4P	Lever, White Porcelain Insert			<input type="checkbox"/> CP <input type="checkbox"/> PB		
K-15850-4R	Lever, Acrylic Insert				<input type="checkbox"/> CP <input type="checkbox"/> PB	
K-15850-7M	Stacked, Polished Chrome Insert					<input type="checkbox"/> CP <input type="checkbox"/> PB
K-15850-7N	Stacked, Polished Brass Insert					<input type="checkbox"/> CP <input type="checkbox"/> PB

PRODUCT SPECIFICATION:

Two-handle widespread lavatory base faucet shall be of metal construction. Faucet shall feature reversible quarter-turn washerless ceramic disc valves, assuring positive handle stop positioning. Product shall include flexible connections, 3-3/4" spout, and pop-up drain with lift rod and tailpiece. Faucet shall be Kohler Model K-15815-K-_____ and handles shall be Kohler Model K-15850-_____-_____.

CORALAIS™ DECORATOR SERIES



14

PRODUCT DIAGRAM