

Ordering Information

Accessories/hardware:		
Drain	K-7169-AF	required
Undermount installation kit	K-582	optional
Vinyl tiling-in bead*	K-1179	optional

*Use K-1179 vinyl bead when wall material contacts any top surface of bath.

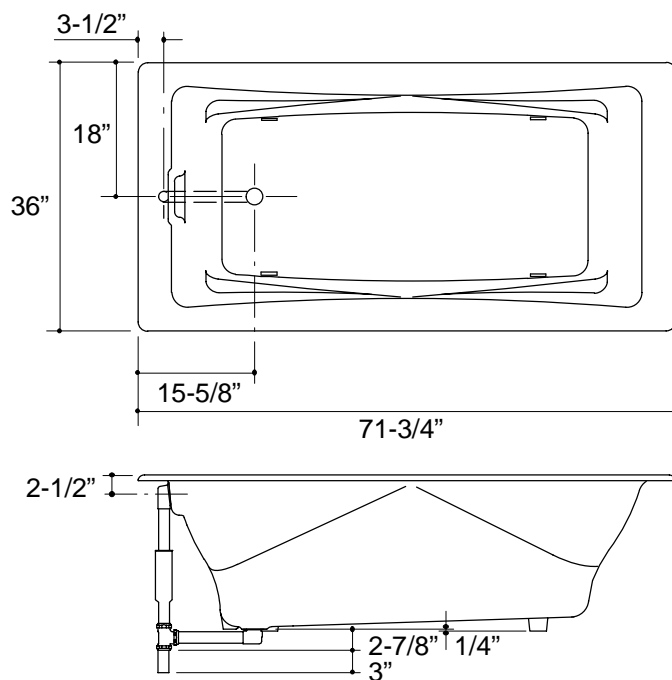
Product Information

Fixture*:	basin area	top area	weight
Bathing well	49" x 22"	62" x 28"	404 lbs.
	water depth	capacity	
To overflow	17"	89 gal.	

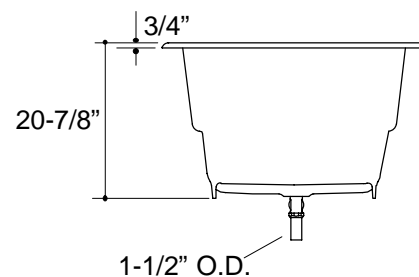
* Approximate measurements for comparison only.

Installation Notes

Refer to installation instructions included with fixture before beginning installation.



Roughing-In Notes	
Fixture dimensions are nominal and conform to tolerances in ANSI Standard A112.19.1.	
No change in measurements if connected with drain illustrated.	
Cut-out for drop-in	70-1/4" x 34-1/2"
Cut-out for undermount	K-582 template required



1.25>132