

Ordering Information

| Accessories/hardware: | | |
|-----------------------------|-----------|----------|
| Drain | K-7169-AF | required |
| Undermount installation kit | K-582 | optional |
| Vinyl tiling-in bead* | K-1179 | optional |

*Use K-1179 vinyl bead when wall material contacts any top surface of bath.

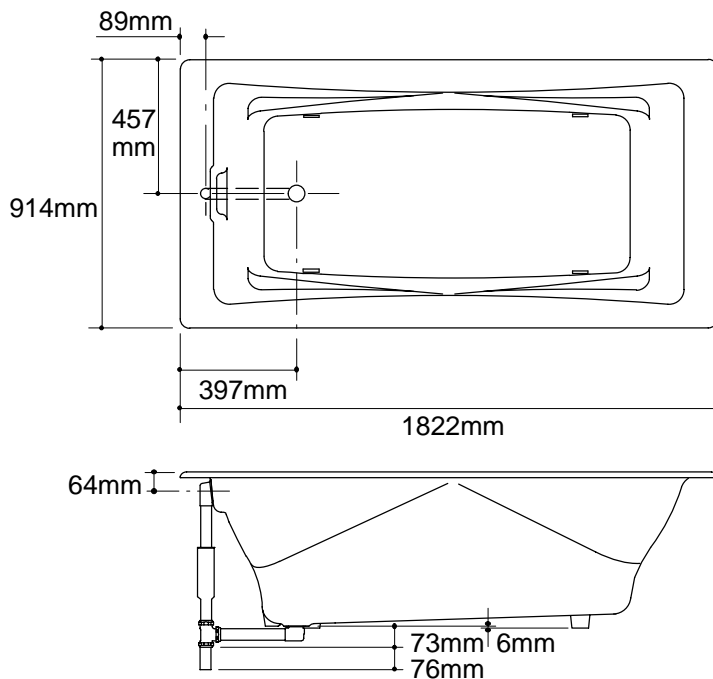
Product Information

| | | | |
|--------------|--------------|--------------|---------|
| Fixture*: | basin area | top area | weight |
| Bathing well | 1245 x 559mm | 1575 x 711mm | 183 Kg. |
| | water depth | capacity | |
| To overflow | 432mm | 337 litres | |

* Approximate measurements for comparison only.

Installation Notes

Refer to installation instructions included with fixture before beginning installation.



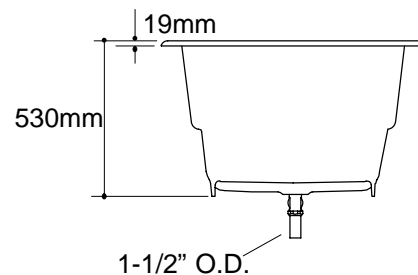
Roughing-In Notes

Fixture dimensions are nominal and conform to tolerances in ANSI Standard A112.19.1.

No change in measurements if connected with drain illustrated.

Cut-out for drop-in 1784 x 876mm

Cut-out for undermount K-582 template required



1.25>132

K-863 Tea-For-Two™ Bath
111729-1M-BA (-)

KOHLER®