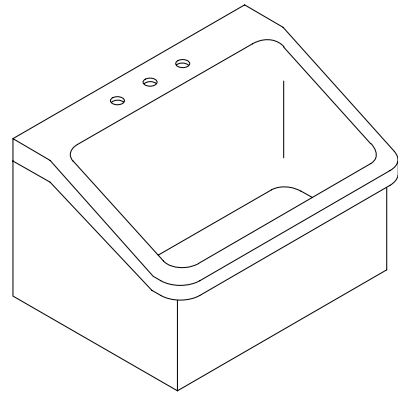


# K-12793, K-12794

## FEATURES

- 28" x 22"
- Vitreous china
- Single compartment
- Single center hole (K-12793), or 8" centers (K-12794) drilled back ledge
- Optional K-1814-P wall brackets



## CODES/STANDARDS APPLICABLE

Specified model meets or exceeds the following:

- ASME/ANSI A112.19.2M
- IAPMO/UPC
- Canadian Standards Association (CSA)
- State of Massachusetts

## COLORS/FINISHES

- 0 White

### Accessories:

- CP Polished Chrome
- NA None Applicable

## SPECIFIED MODEL:

Model	Description	Colors/Finishes
K-12793	Single center hole sink	<input type="checkbox"/> 0 White
K-12794	8" centers sink	<input type="checkbox"/> 0 White

Recommended Accessories		
K-1814-P	Brackets	<input type="checkbox"/> NA

Optional Accessories		
K-9000	Trap	<input type="checkbox"/> CP
K-9115	1-1/2" sink strainer	<input type="checkbox"/> CP
K-9118	2" sink strainer	<input type="checkbox"/> CP

## PRODUCT SPECIFICATION:

The utility sink shall be 28" in length, and 22" in width. Sink shall be made of vitreous china. Sink shall be single compartment. Sink shall be single center hole (K-12793) or 8" centers (K-12794) drilled back ledge. Sink shall have optional K-1814-P wall brackets. Sink shall be Kohler Model K-\_\_\_\_\_-\_\_\_\_\_.

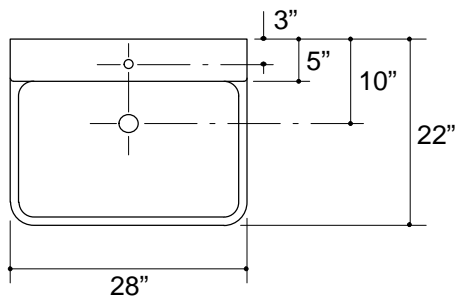
# HOLLISTER™

## PRODUCT INFORMATION

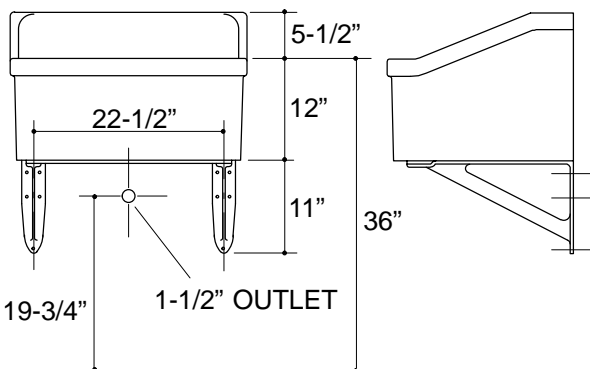
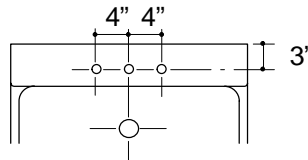
Fixture*:		basin area	water depth
Sink		26" x 16"	11-1/8"
Outlet	2-1/4" D.		
Faucet hole	1-1/8" D.		

\* Approximate measurements for comparison only.

**K-12793**



**K-12794**



**Roughing-In Notes**

Recommended accessories/hardware are shown.

.7<116

## PRODUCT DIAGRAM