



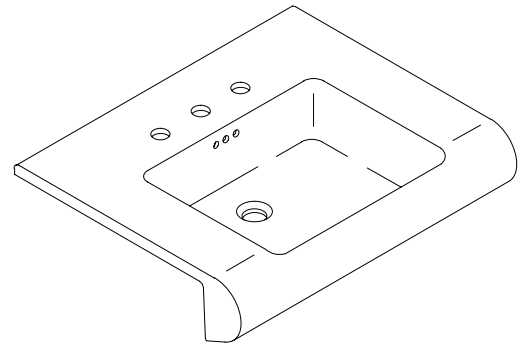
### FEATURES

- 27-1/2" x 22-5/8"
- Vitreous china
- 4" centers (K-2110-4), 8" centers (K-2110-8) or single-hole (K-2110-1) drilling
- With overflow
- ADA compliant
- With sealant

### CODES/STANDARDS APPLICABLE

Specified model meets or exceeds the following:

- ADA
- ASME/ANSI A112.19.2M
- CABO/ANSI A117.1
- IAPMO/UPC
- Canadian Standards Association (CSA)
- State of Massachusetts



### COLORS/FINISHES

- 0 White
- Other Refer to Fixtures Price Book for additional colors

#### Accessories:

- CP Polished Chrome
- Other Refer to Faucets Price Book for additional finishes

### SPECIFIED MODEL:

Model	Description	Colors/Finishes	
K-2110-4	4" centers lavatory	<input type="checkbox"/> 0 White	<input type="checkbox"/> Other_____
K-2110-8	8" centers lavatory	<input type="checkbox"/> 0 White	<input type="checkbox"/> Other_____
K-2110-1	Single-hole lavatory	<input type="checkbox"/> 0 White	<input type="checkbox"/> Other_____

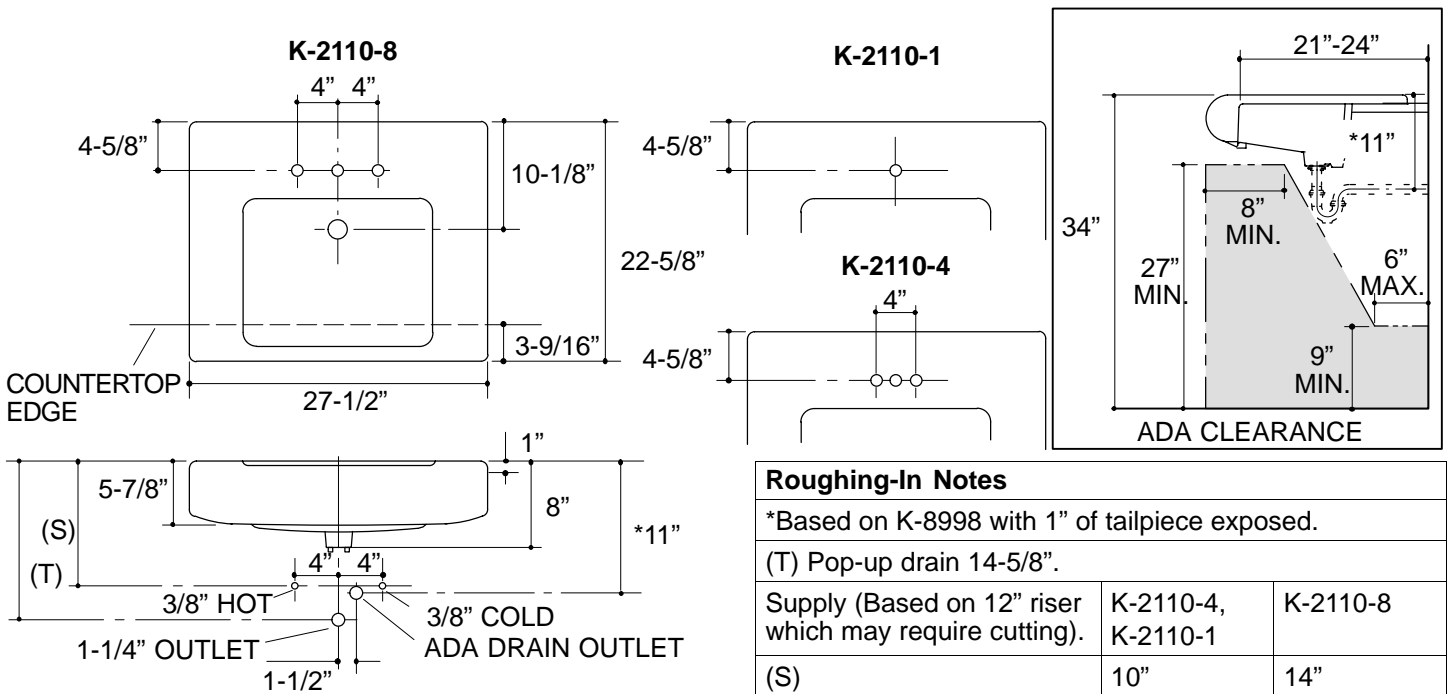
Recommended Accessories			
K-8998	Trap	<input type="checkbox"/> CP	<input type="checkbox"/> Other_____

**PRODUCT SPECIFICATION:**  
 The countertop lavatory with overhang front rim shall be 27-1/2" in length, and 22-5/8" in width. Lavatory shall be made of vitreous china. Lavatory shall have 4" centers (K-2110-4), 8" centers (K-2110-8), or single-hole (K-2110-1) drilling. Lavatory shall have overflow. Lavatory shall be ADA compliant. Lavatory shall include sealant. Lavatory shall be Kohler Model K-2110-\_\_\_\_\_-\_\_\_\_\_.

# PILLOW TALK™

## PRODUCT INFORMATION

ADA compliant.			
Fixture*:		basin area	water depth
Lavatory		18" x 14"	4-7/8"
Outlet	1-3/4" D.		
* Approximate measurements for comparison only.			
Holes	<b>K-2110-4</b>	<b>K-2110-8</b>	<b>K-2110-1</b>
Spout	1-3/16" D.	1-3/16" D.	1-3/8" D.
Faucet	1-3/16" D.	1-3/8" D.	
Included Components:			
Adhesive sealant			63034
Cutout template			112003



.9<116

## PRODUCT DIAGRAM