

DRAIN
K-7167
ALSO K-7169-AF

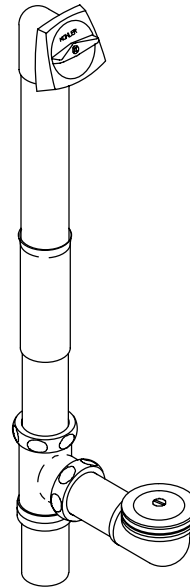
FEATURES

- 17 gauge brass construction
- Above- or through-the-floor installation options
- Adjustable trip lever pop-up drain
- Brass tailpiece

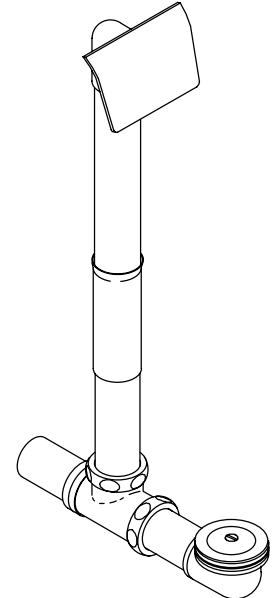
CODES/STANDARDS APPLICABLE

Specified model meets or exceeds the following:

- ASME/ANSI A112.18.1M
- CSA B125 (K-7167)
- IAPMO/UPC



K-7167



K-7169-AF

COLORS/FINISHES

- CP Polished Chrome
- PB Polished Brass
- Other Refer to Faucets Price Book for additional finishes

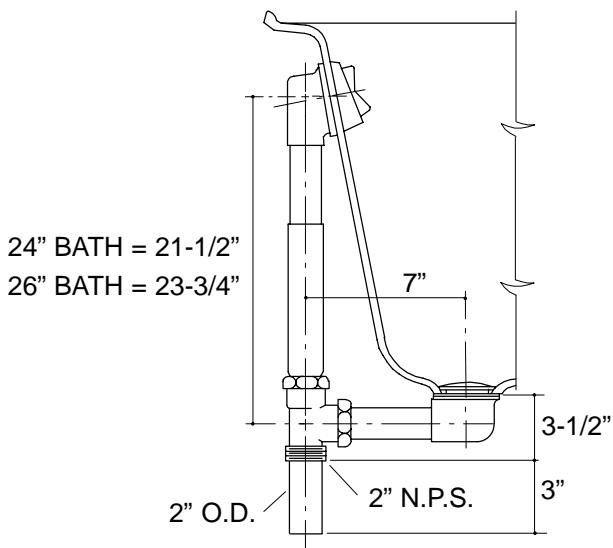
SPECIFIED MODEL:

Model	Description			
K-7167	For Baths and Bath Whirlpools with 2" Drain Connection	<input type="checkbox"/> CP	<input type="checkbox"/> PB	<input type="checkbox"/> Other_____
K-7169-AF	For Baths and Bath Whirlpools with 1-1/2" Drain Connection	<input type="checkbox"/> CP	<input type="checkbox"/> PB	<input type="checkbox"/> Other_____

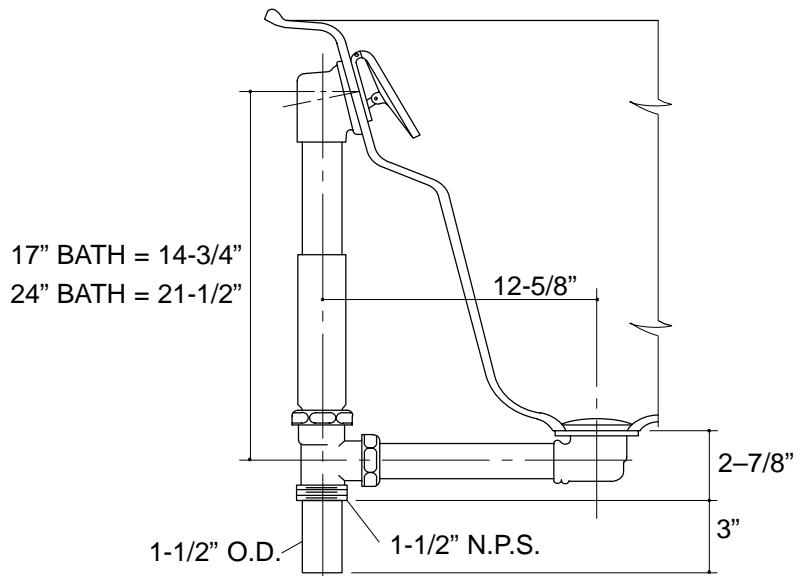
PRODUCT SPECIFICATION:

Bath drain shall be of brass construction. Drain shall include an adjustable trip lever drain with brass tailpiece. Drain shall feature above- or through-the-floor installation options. K-7167 is intended for bath and bath whirlpool installations with 2" drain connection. K-7169-AF is intended for bath and bath whirlpool installations with 1-1/2" drain connection. Drain shall be Kohler Model K-_____ - _____ - _____.

CLEARFLO



K-7167



K-7169-AF

PRODUCT DIAGRAM