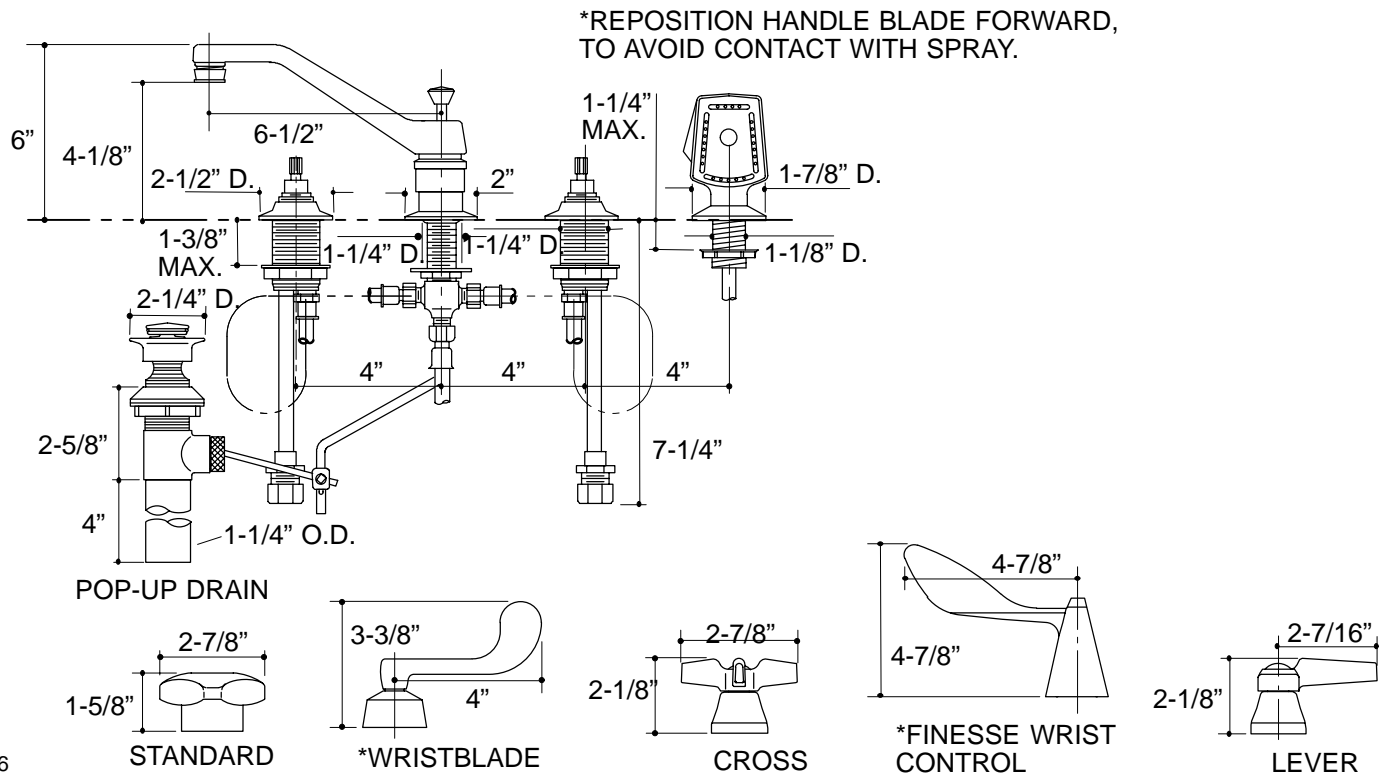


Ordering Information

Applicable faucet:	
Base faucet:	K-7449-K
Triton standard handle	K-16012-2
Triton cross handle	K-16012-3
Triton lever handle	K-16012-4
Triton wristblade lever handle	K-16012-5
Finesse wrist control lever handle	K-16022-5
ADA Lever and cross handles are ADA compliant	



316

K-7449-K Triton/Finesse Lavatory Shampoo Faucet
 112376-1-DA (-)

NOTES: