

Ordering Information

Accessories/hardware:		
Drain	K-9132	recommended
Persona™ shower	K-9674	recommended*
Taboret® Rite-Temp™ faucet with lever handle	K-8226-4	recommended
Dome light	K-1570	optional
* Dimensions illustrated		

Product Information

Fixture:	
Weight	290 lbs.
Configuration	1-piece
Drain Outlet	3-1/4" D.

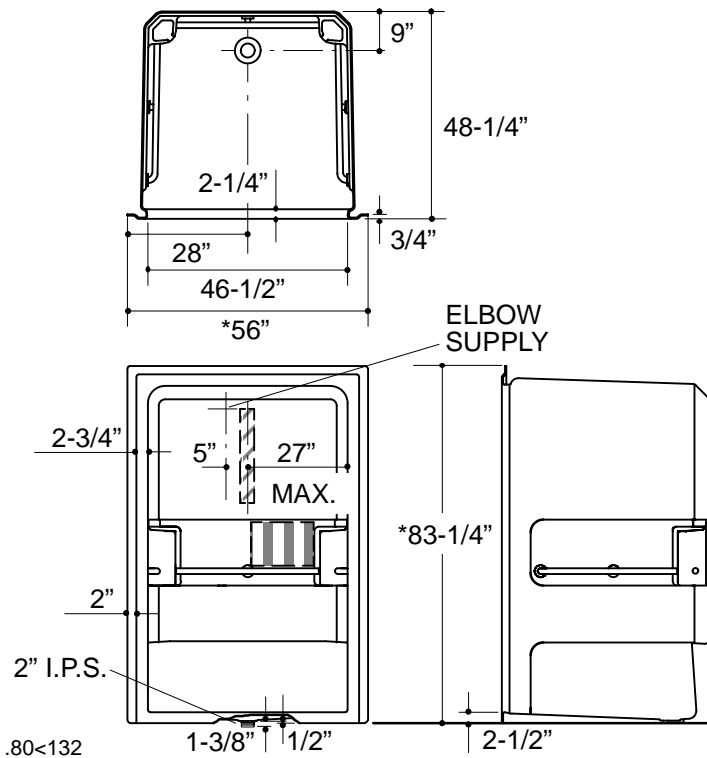
Installation Notes

Refer to installation instructions included with fixture before beginning installation.

Fixture not drilled for supply fittings.

Shimming may be required to level fixture.

For optimum accessibility, specify faucets and fittings to install and operate within the control area shown.



Roughing-In Notes	
Fixture dimensions are nominal and conform to tolerances in ANSI Standard Z124.2.	
*Recess opening must be 56" x 83-1/4"	
Stud opening tolerance (+ 1/4" - 0"). When fire rated wall is specified, dimensions are to the inside of the wall board. Some shimming between stud frame and fixture may be required.	
Provide clear floor space per ANSI A117.1, and as shown.	
	Represents control area for faucets.
	Represents 24" wall mount slide bar.
	Represents clear floor space for 36" x 48" side entrance.
	Represents clear floor space for 48" x 48" front entrance.