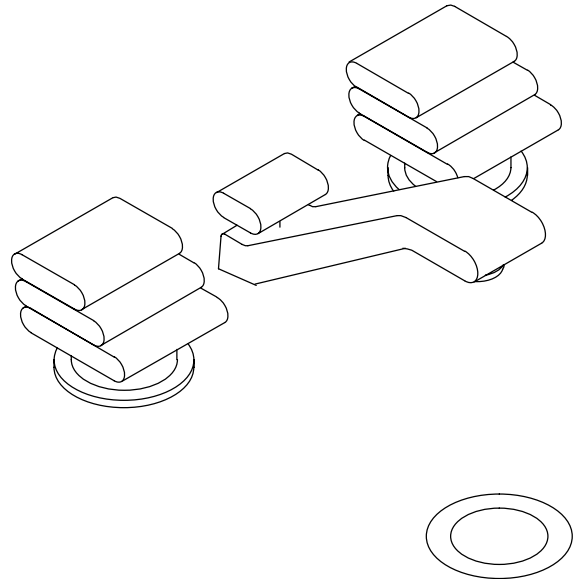


**LAVATORY FAUCET  
K-7934-2**

**FEATURES**

- Brass construction
- Flexible connections
- Brass valve bodies
- Quarter-turn washerless ceramic disc valves
- 4-15/16" bullnose spout
- 2.0 gallons per minute
- Pop-up drain with lift rod and tailpiece
- Pillows handles



**CODES/STANDARDS APPLICABLE**

Specified model meets or exceeds the following:

- ASME/ANSI A112.18.1M
- California Energy Commission
- Energy Policy Act of 1992
- NSF 14

**COLORS/FINISHES**

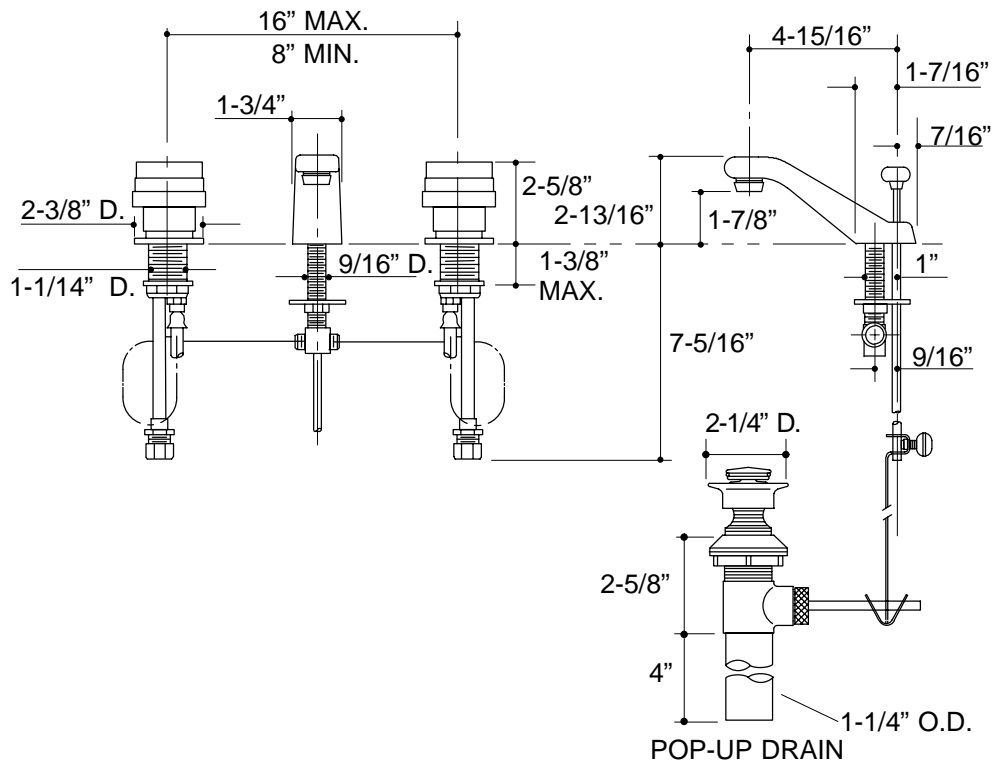
- PB Polished Brass
- SC Satin Chrome

**SPECIFIED MODEL:**

Model	Description	<input type="checkbox"/> PB	<input type="checkbox"/> SC
K-7934-2	Pillows Widespread Lavatory Faucet	<input type="checkbox"/>	<input type="checkbox"/>

**PRODUCT SPECIFICATION:**

Two-handle widespread lavatory faucet shall be of brass construction. Faucet shall feature brass valve bodies. Faucet shall feature quarter-turn washerless ceramic disc valves, assuring positive handle stop positioning. Product shall include flexible connections, 4-15/16" bullnose spout, pop-up drain with lift rod and tailpiece, and Pillows handles. Faucet shall be Kohler Model K-7934-2-\_\_\_\_\_.



316>.85

## PRODUCT DIAGRAM