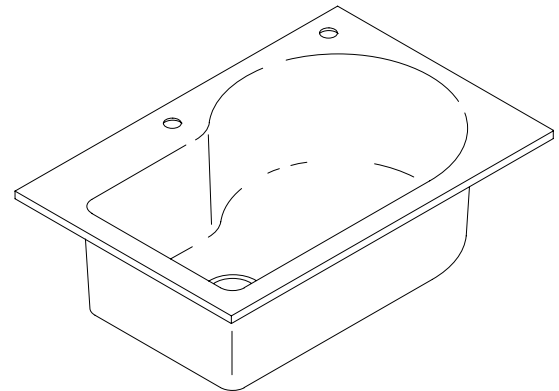


FEATURES

- 33" x 22"
- Cast iron
- Acid resistant enamel finish
- Tile-in
- Single compartment
- 2-hole (K-5986-2) or 5-hole (K-5986-5) drilling



CODES/STANDARDS APPLICABLE

Specified model meets or exceeds the following:

- ASME/ANSI A112.19.1M
- IAPMO/UPC
- State of Massachusetts

COLORS/FINISHES

- 0 White
- Other Refer to Fixtures Price Book for additional colors

Accessories:

- CP Polished Chrome
- NA None Applicable
- Other Refer to Price Book for additional colors

SPECIFIED MODEL:

Model	Description	Colors/Finishes	
K-5986-2	2-hole sink	<input type="checkbox"/> 0 White	<input type="checkbox"/> Other_____
K-5986-5	5-hole sink	<input type="checkbox"/> 0 White	<input type="checkbox"/> Other_____

Recommended Accessories			
K-9000	Trap	<input type="checkbox"/> CP	
Optional Accessories			
K-6512	Hardwood cutting board (fits left side of sink compartment)	<input type="checkbox"/> NA	
K-6006	Bottom basin rack	<input type="checkbox"/> 0 White	<input type="checkbox"/> Other_____
K-6556	Entertainer™ accessory tray (fits right side of sink compartment)	<input type="checkbox"/> NA	
K-8801	Duostrainer sink strainer	<input type="checkbox"/> CP	<input type="checkbox"/> Other_____

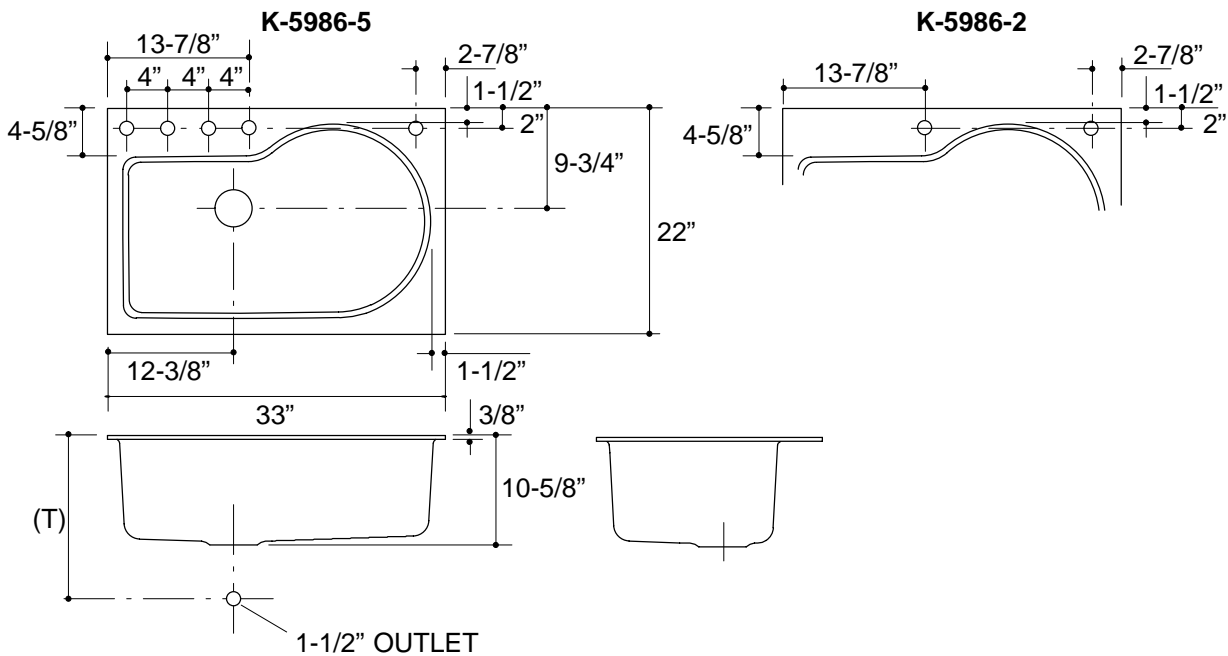
PRODUCT SPECIFICATION:

The tile-in sink shall be 33" in length, and 22" in width. Sink shall be made of cast iron with acid resistant enamel finish. Sink shall be single compartment. Sink shall be 2-hole (K-5986-2), or 5-hole (K-5986-5) drilled. Sink shall be Kohler Model K-5986-_____-_____.

ENTRÉE™

PRODUCT INFORMATION

Fixture*:		basin area	water depth
Sink		30" x 19"	10"
Outlet	3-5/8" D.		
Faucet holes	1-3/8" D.		
* Approximate measurements for comparison only.			



Roughing-In Notes	
(T) Drain typically 16".	
Cutout	31-3/4" x 20-3/4" with 1" radius corners.

.85<116

PRODUCT DIAGRAM