

### Ordering Information

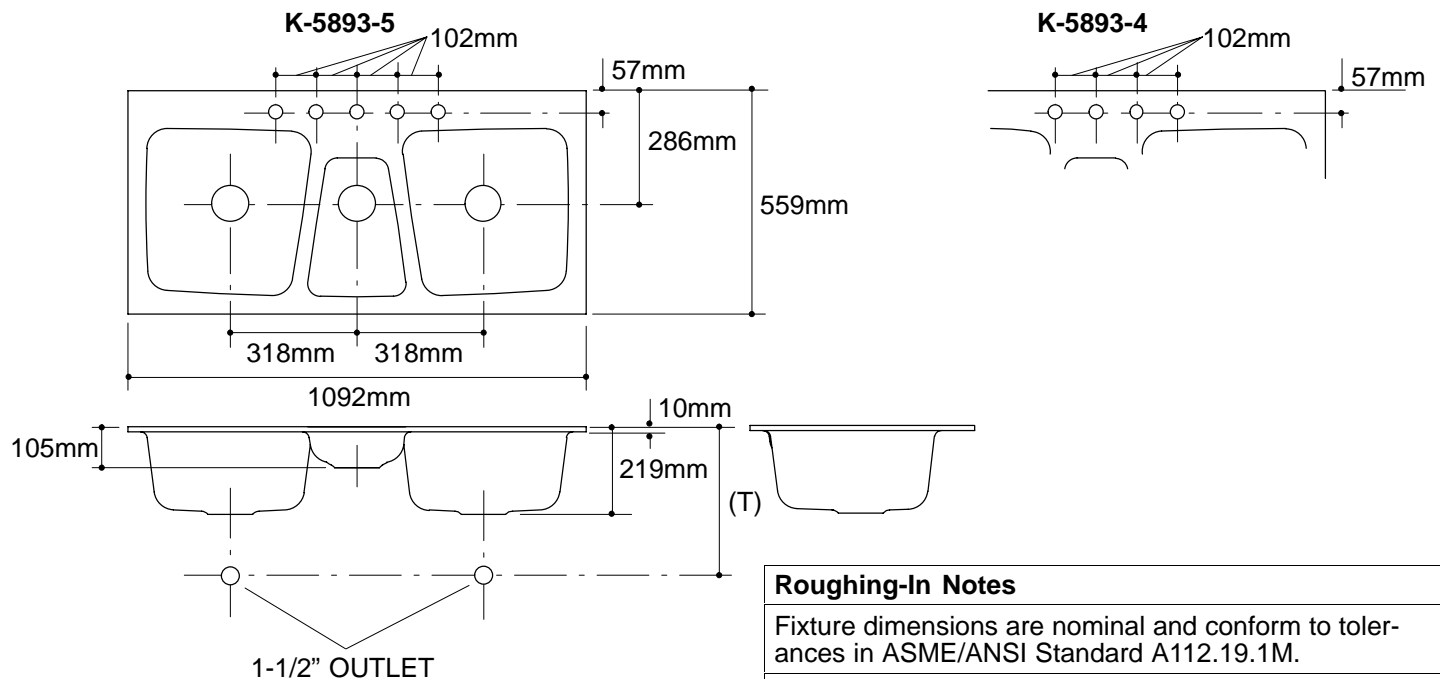
Applicable product:		
Five-hole sink	K-5893-5	shown
Four-hole sink	K-5893-4	not shown
Accessories/hardware:		
Hardwood cutting board	K-5916	optional

### Product Information

Fixture*:		basin area	water depth
Sinks		356 x 406mm	203mm
Disposal		254 x 356mm	89mm
Outlet	Ø92mm		
Faucet holes	Ø35mm		
* Approximate measurements for comparison only.			

### Installation Notes

Refer to installation instructions included with fixture before beginning installation.



#### Roughing-In Notes

Fixture dimensions are nominal and conform to tolerances in ASME/ANSI Standard A112.19.1M.

(T) Drain typically 352mm.

Cutout 1060 x 527mm with 25mm radius corners.

.85<116

**K-5893 Trieste™ Sink**  
112568-1M-BA (-)

**KOHLER®**