

Ordering Information

Accessories/hardware:		
Hardwood cutting board	K-6566	optional

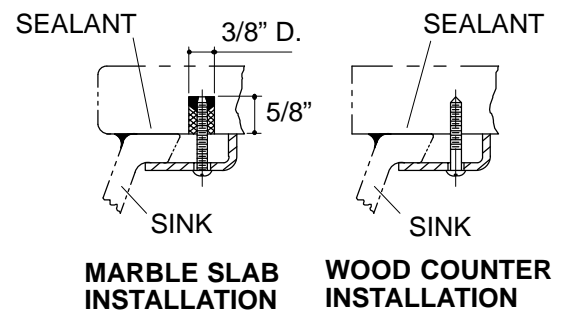
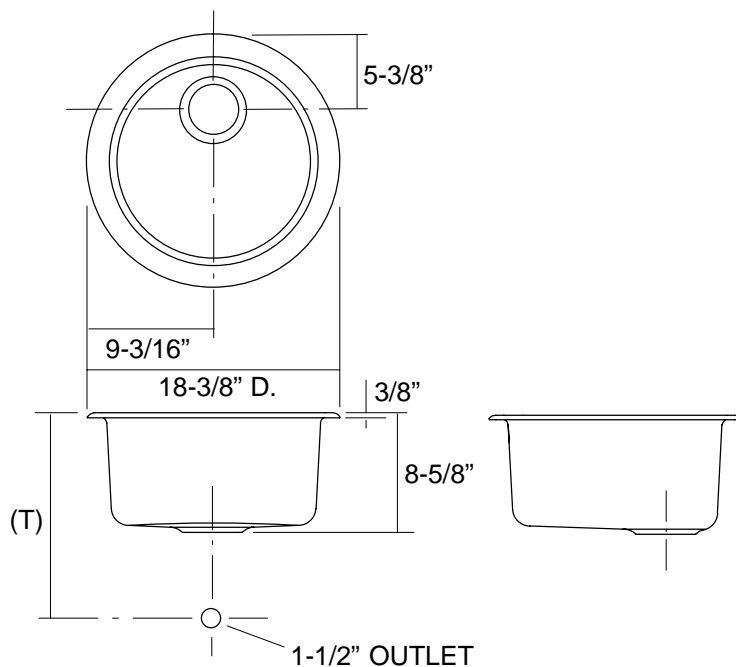
Product Information

Fixture*:		basin area	water depth
Sink		15" D.	8"
Outlet	3-5/8" D.		
* Approximate measurements for comparison only.			

Included Components:	
Basin clamp assembly	52047
Cutout template	112615-X2

Installation Notes

Refer to installation instructions included with fixture before beginning installation.



NOTE: WATERPROOF UNPROTECTED OVERHANG AREA ON THE UNDERSIDE OF WOOD COUNTER

Roughing-In Notes
Fixture dimensions are nominal and conform to tolerances in ASME/ANSI Standard A112.19.1M.
(T) Drain typically 14-1/4".
Supplied basin clamp assemblies require 1" minimum countertop thickness. Installer must supply anchors for thinner countertops.

1.15>116