

Ordering Information

Applicable product:		
203mm centers lavatory	K-1723	shown
102mm centers lavatory	K-1729	not shown
Single-hole lavatory	K-1721	not shown
Accessories/hardware:		
Trap	K-8998	recommended

Product Information

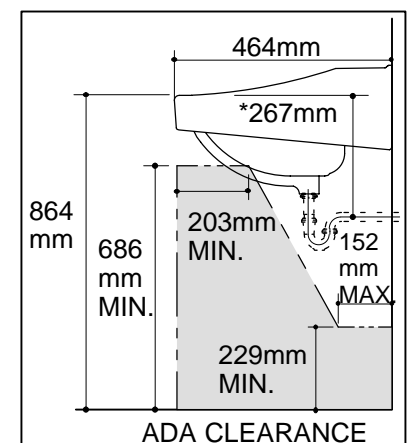
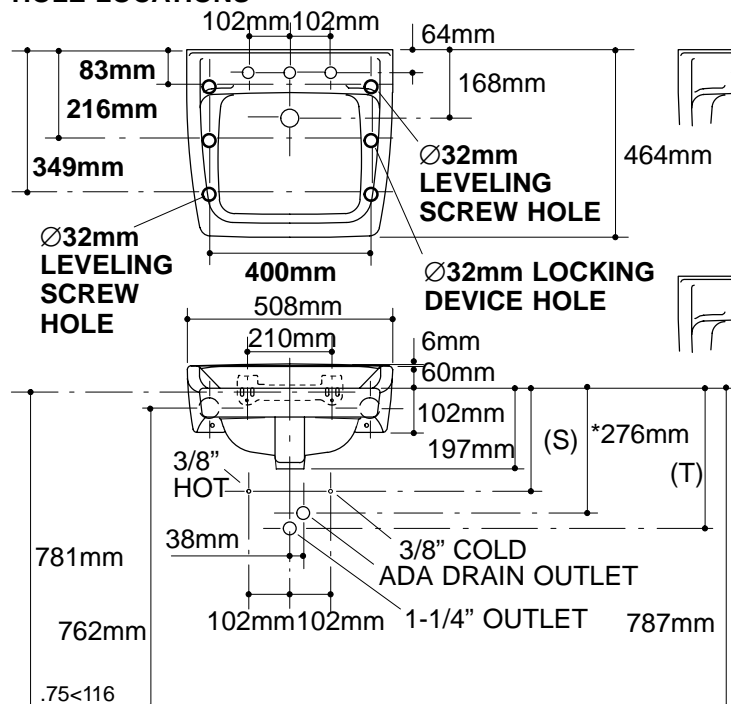
ADA compliant.			
Fixture*:		basin area	water depth
Lavatory		356 x 305mm	124mm
Outlet	Ø44mm		
* Approximate measurements for comparison only.			
Holes	K-1723	K-1729	K-1721
Spout	Ø30mm	Ø30mm	Ø35mm
Faucet	Ø35mm	Ø30mm	
Soap dispenser			Ø38mm

Included Components:	
Hanger	64839

Installation Notes

Refer to installation instructions included with fixture before beginning installation.

CONCEALED ARM HOLE LOCATIONS K-1723



Roughing-In Notes

Fixture dimensions are nominal and conform to tolerances in ASME Standard A112.19.2M.

*Based on K-8998, with 25mm tailpiece exposed.

(T) Pop-up drain 340mm, grid drain 318mm.

(S) 254mm (Based on 305mm riser which may require cutting).

Supplied hanger not used with concealed arm carrier.