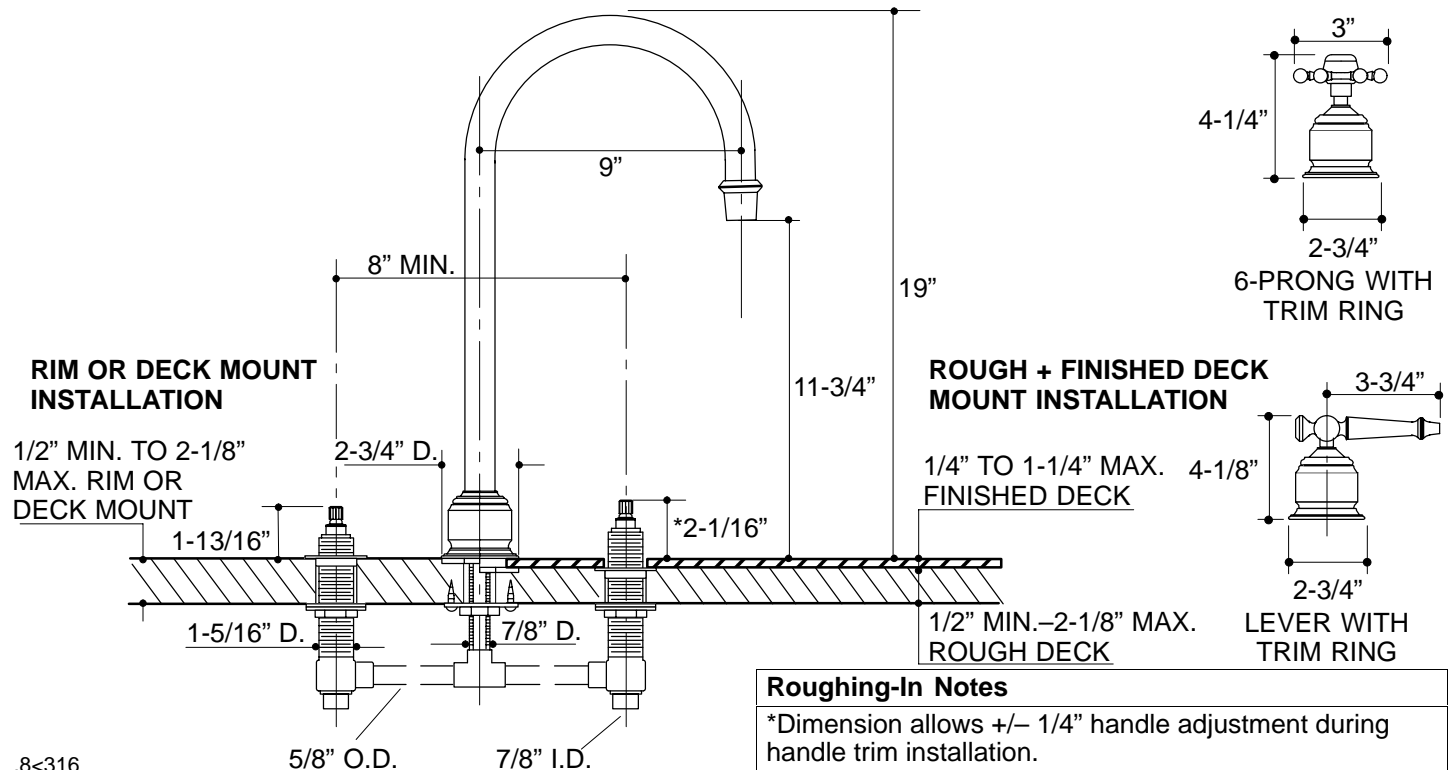


Ordering Information

Applicable faucet trim:		
Six-prong handles*	K-T350-3D	
Lever handles*	K-T350-4D	
Accessories/hardware:		
Curio trim rings (metal, pr.)	K-17201	
*Requires trim rings.		
*Valve K-301-K must be ordered to complete faucet.		
Applicable valve system only:		
3/4" valve system	K-301-K-NA	required**
**Required for configuration illustrated.		
ADA Lever handles are ADA compliant		



.8<316

K-T350, K-301-K Antique Curio™ Bath Faucet
112742-1-CA (9619)

NOTES: