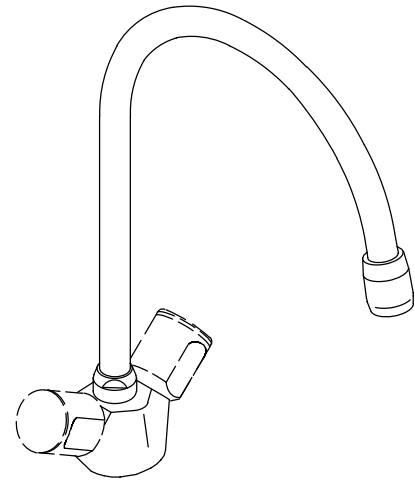


**KITCHEN SINK FAUCET
K-14506**

FEATURES

- Brass construction
- Single-hole mounting
- Brass valve bodies
- Quarter-turn washerless ceramic disc valves
- 7-5/8" gooseneck swing spout
- 2.5 gallons per minute
- Available with cylinder or oval handles
- Optional escutcheon plate is available for three-hole installations



CODES/STANDARDS APPLICABLE



Specified model meets or exceeds the following:

- ASME/ANSI A112.18.1M
- California Energy Commission
- Energy Policy Act of 1992
- IAPMO/UPC
- NSF 14

COLORS/FINISHES

- CP Polished Chrome
- Other Refer to Faucets Price Book for additional finishes

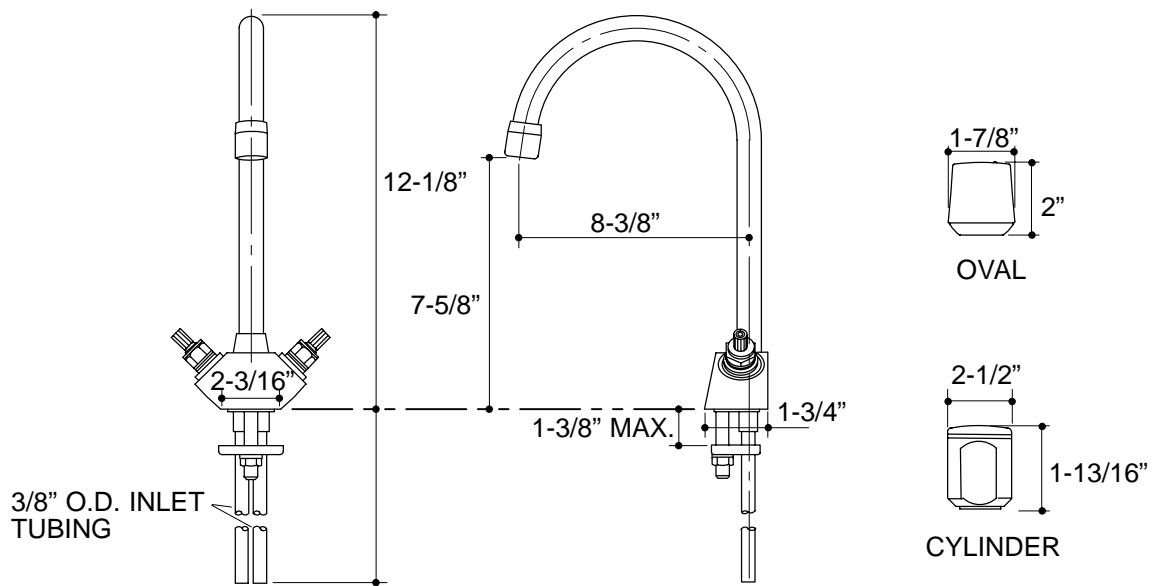
SPECIFIED MODEL:

Model	Description		
K-14506-7	With Cylinder Handles	<input type="checkbox"/> Other_____	
K-14506-9	With Oval Handles		<input type="checkbox"/> CP

Optional Accessory			
K-14511	10-1/2" Escutcheon Plate for Three-Hole Installations	<input type="checkbox"/> CP	<input type="checkbox"/> Other_____

PRODUCT SPECIFICATION:

Two-handle kitchen sink faucet shall be of brass construction. Faucet shall feature brass valve bodies. Faucet shall feature quarter-turn washerless ceramic disc valves, assuring positive handle stop positioning. Product shall include single-hole mounting, 7-5/8" gooseneck swing spout, and cylinder or oval handles. Faucet shall be Kohler Model K-14506-_____-_____.



316

PRODUCT DIAGRAM