

### Ordering Information

Applicable product:		
Three-hole sink	K-3268-3	shown
One-hole sink	K-3268-1	not shown
Accessories/hardware:		
Bottom basin rack	K-3190	optional
Wire rinse basket/dishrack	K-3277	optional
Hardwood cutting board	K-3294	optional

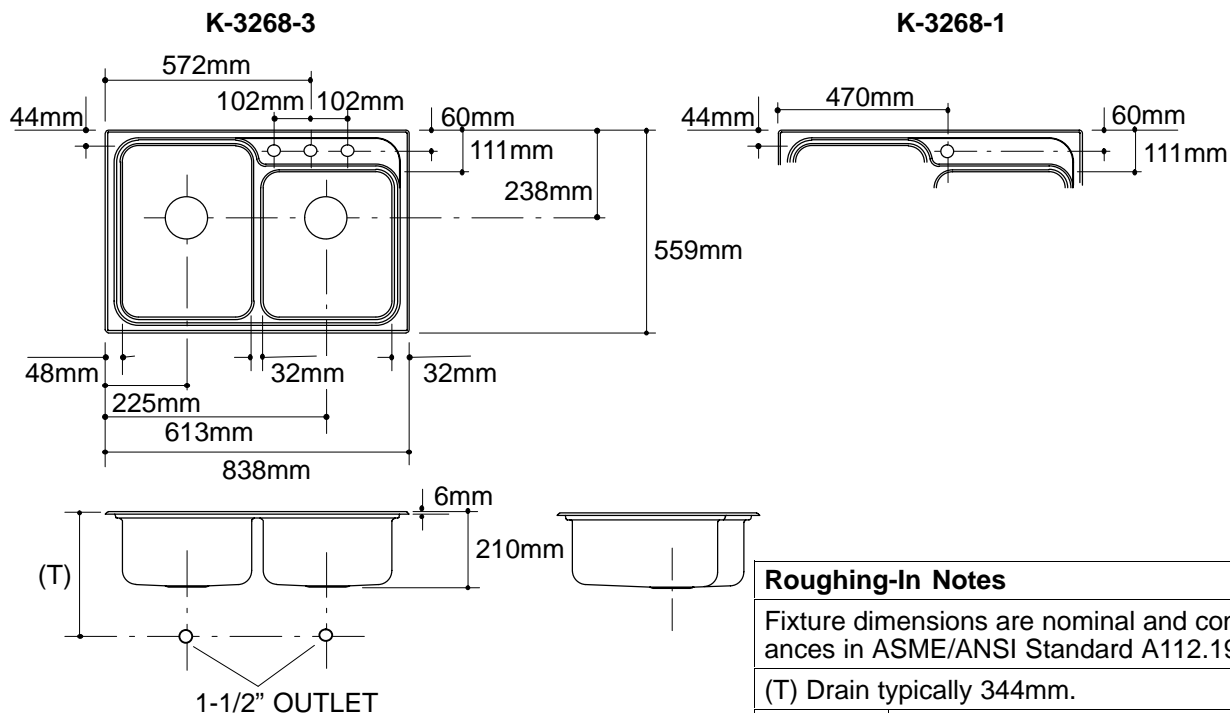
### Product Information

Fixture*:		basin area	water depth
Sink, left		356 x 483mm	184mm
Sink, right		356 x 406mm	184mm
Outlet	Ø92mm		
Faucet holes	Ø37mm		
* Approximate measurements for comparison only.			

Included Components:	
Fastener pack	90208

### Installation Notes

Refer to installation instructions included with fixture before beginning installation.



#### Roughing-In Notes

Fixture dimensions are nominal and conform to tolerances in ASME/ANSI Standard A112.19.3M.

(T) Drain typically 344mm.

Cutout 826 x 546mm with 13mm radius corners.

.85<116

**K-3268** Ballad Sink  
112834-1M-BA (-)

**KOHLER®**