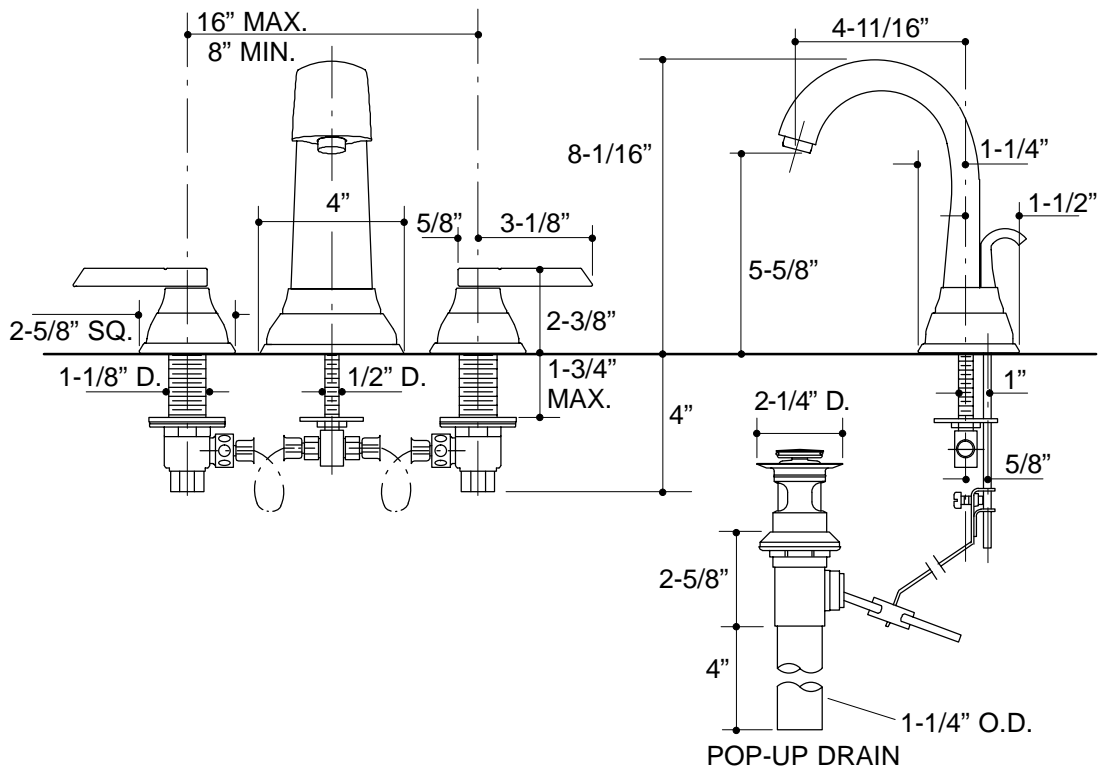


Ordering Information

Applicable faucet:	
Complete	K-6403-4
Multi-piece*	K-6403-4B
Accessories/hardware:	
Decorative inserts	K-17202
*Requires decorative inserts.	
ADA Lever handles are ADA compliant	



316

K-6403 Neuville™ Lavatory Faucet
112858-1-BA (-)

KOHLER®

NOTES: