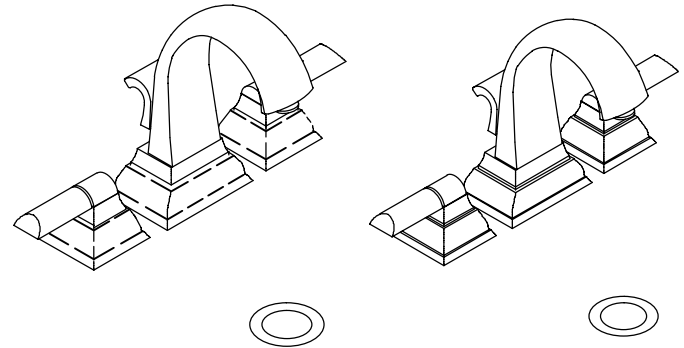


**LAVATORY FAUCET
K-6403**

ADA

FEATURES

- Brass construction
- Flexible connections
- Brass valve bodies
- Quarter-turn washerless ceramic disc valves
- 4-11/16" high-arch spout
- 2.0 gallons per minute
- Pop-up drain with lift rod and tailpiece
- Lever handles
- Available with one- or multi-piece escutcheons



K-6403-4B

K-6403-4

CODES/STANDARDS APPLICABLE

Specified model meets or exceeds the following:

- ASME/ANSI A112.18.1M
- Energy Policy Act of 1992
- IAPMO/UPC
- NSF 61

COLORS/FINISHES

- CP Polished Chrome
- PB Polished Brass

SPECIFIED MODEL:

MULTI-PIECE ESCUTCHEONS: For complete faucet, both faucet and decorative inserts must be specified.

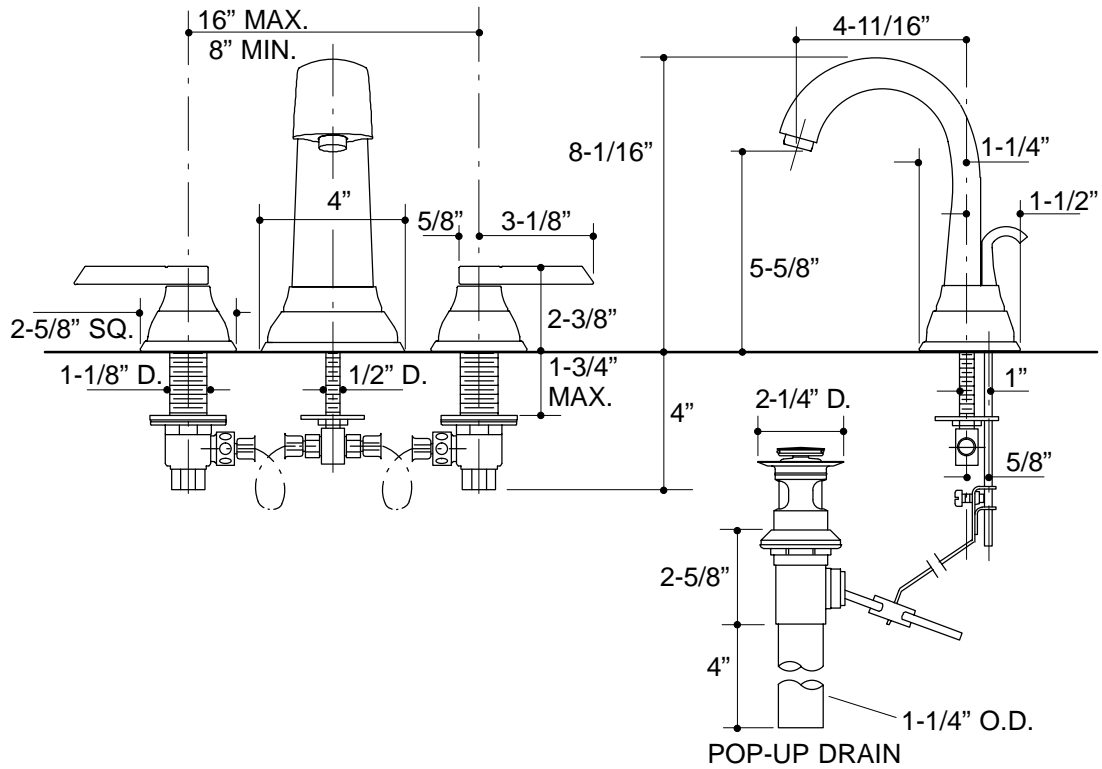
Model	Description		
K-6403-4B	Neuville Widespread Lavatory Faucet	<input type="checkbox"/> CP	<input type="checkbox"/> PB
Required Accessory			
K-17202	Decorative Inserts		

ONE-PIECE ESCUTCHEONS: One-piece matching finish handles included.

K-6403-4	Neuville Widespread Lavatory Faucet	<input type="checkbox"/> CP	<input type="checkbox"/> PB
----------	-------------------------------------	-----------------------------	-----------------------------

PRODUCT SPECIFICATION:

Two-handle widespread lavatory faucet shall be of brass construction. Faucet shall feature brass valve bodies. Faucet shall feature quarter-turn washerless ceramic disc valves, assuring positive handle stop positioning. Product shall include flexible connections, 4-11/16" high-arch spout, pop-up drain with lift rod and tailpiece, and lever handles. Faucet with multi-piece escutcheons shall be Kohler Model K-6403-4B-_____ with K-17202-_____ inserts **OR** faucet with one-piece escutcheons shall be Kohler Model K-6403-4-_____.



316

PRODUCT DIAGRAM