

**BATH FAUCET TRIM**  
**K-T6431**  
**ALSO K-301-K**

**ADA**

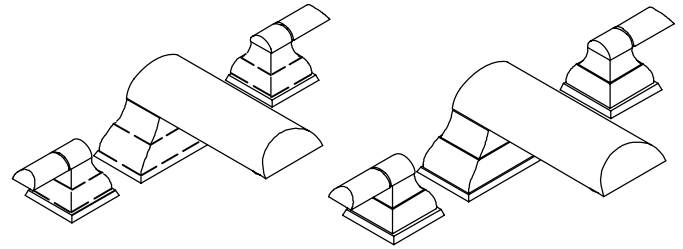
**FEATURES**

- Brass construction
- Bath-mount
- 4-3/4" non-diverter spout with slip-fit connection
- Lever handles
- Available with one- or multi-piece escutcheons

**CODES/STANDARDS APPLICABLE**

Specified model meets or exceeds the following:

- ASME/ANSI A112.18.1M
- CSA B125
- IAPMO/UPC



K-T6431-4B

K-T6431-4

**COLORS/FINISHES**

- CP Polished Chrome
- PB Polished Brass

**SPECIFIED MODEL:** For complete faucet, both faucet trim and valve system must be specified.

**FAUCET TRIM WITH MULTI-PIECE ESCUTCHEONS:**

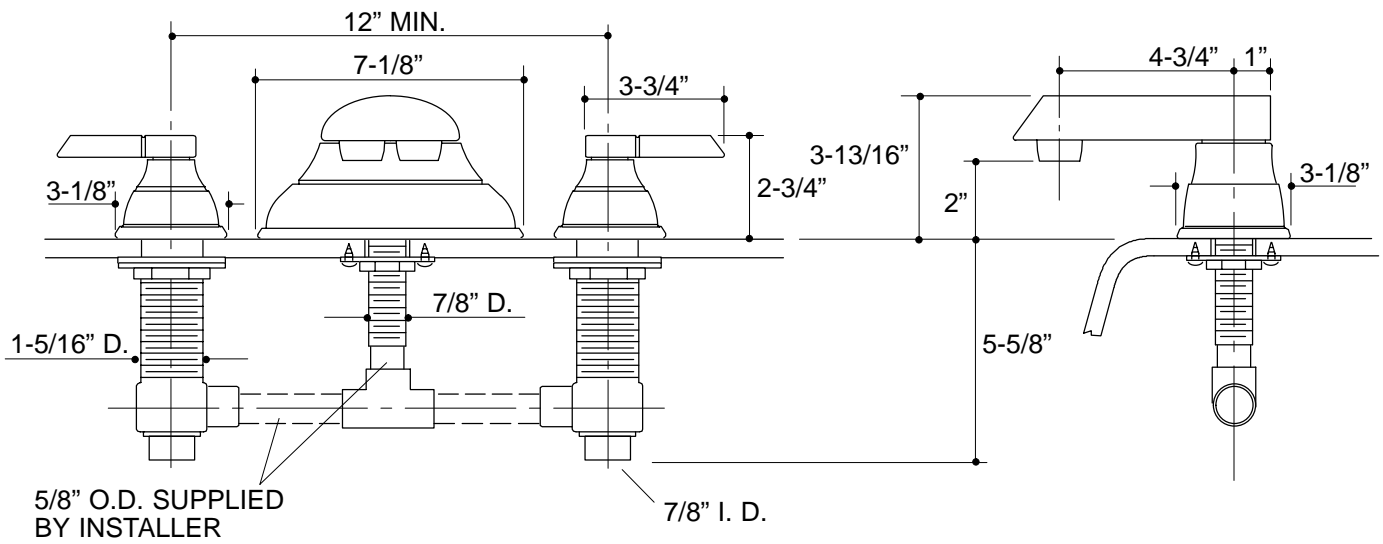
Model	Description		
K-T6431-4B	Neuville Bath-Mount High-Flow Bath Faucet Trim	<input type="checkbox"/> CP	<input type="checkbox"/> PB
<b>Required Accessory (For K-T6431-4B only)</b>			
K-17205	Decorative Inserts		

**FAUCET TRIM WITH ONE-PIECE ESCUTCHEONS:**

K-T6431-4	Neuville Bath-Mount High-Flow Bath Faucet Trim	<input type="checkbox"/> CP	<input type="checkbox"/> PB
<b>Required Accessory (For K-T6431-4B and K-T6431-4)</b>			
K-301-K	3/4" High-Flow Valve System		

**PRODUCT SPECIFICATION:**

Two-handle bath-mount high-flow bath faucet trim shall be of brass construction. Product shall include 4-3/4" non-diverter spout with slip-fit connection, and lever handles. Faucet trim with multi-piece escutcheons shall be Kohler Model K-T6431-4B-\_\_\_\_\_ with K-17205-\_\_\_\_\_ decorative inserts, **OR** faucet trim with one-piece escutcheons shall be Kohler Model K-T6431-4-\_\_\_\_\_. Valve system shall be Kohler Model K-301-K-NA.



316

PRODUCT DIAGRAM