

Ordering Information

Applicable product:		
Single-hole sink	K-5902-1U	shown
Accessories/hardware:		
Hardwood cutting board	K-5906	optional

Product Information

Fixture*:		basin area	water depth
Sink		12" x 12"	7"
Outlet	3-5/8" D.		
Faucet holes	2-3/8" D.		

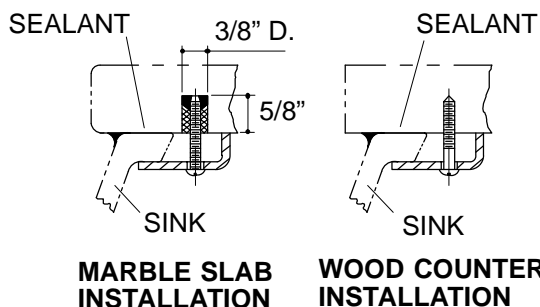
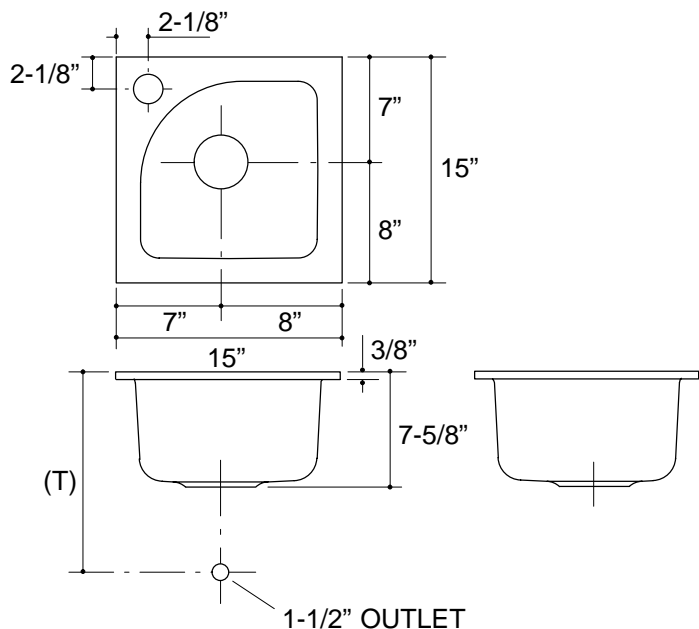
* Approximate measurements for comparison only.

Included Components:

Basin clamp assembly	52047
Cutout template	112823-7

Installation Notes

Refer to installation instructions included with fixture before beginning installation.



NOTE: WATERPROOF UNPROTECTED OVERHANG AREA ON THE UNDERSIDE OF WOOD COUNTER

Roughing-In Notes

Fixture dimensions are nominal and conform to tolerances in ASME/ANSI Standard A112.19.1M.

(T) Drain typically 13".

Supplied basin clamp assemblies require 1" minimum countertop thickness. Installer must supply anchors for thinner countertops.