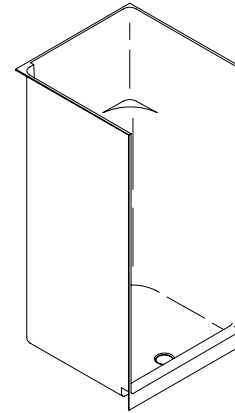


FEATURES

- 36" x 36" x 76-1/2"
- Fiberglass (FRP)
- Integral soap ledges



CODES/STANDARDS APPLICABLE

Specified model meets or exceeds the following:

- ANSI Z124.2
- IAPMO/UPC
- Canadian Standards Association (CSA)
- State of Massachusetts
- Dade County, Florida

COLORS/FINISHES

- 0 White
- Other Refer to Fixtures Price Book for additional colors

Accessories:

- CP Polished Chrome
- PB Polished Brass
- SV Nevada Silver™
- BR New England Brass™
- Other Refer to Faucets Price Book for additional finishes

SPECIFIED MODEL:

Model	Description	Colors/Finishes	
K-1596	Shower module	<input type="checkbox"/> 0 White	<input type="checkbox"/> Other_____

Recommended Accessories				
K-9132	Drain	<input type="checkbox"/> CP	<input type="checkbox"/> PB	<input type="checkbox"/> Other_____

Optional Accessories				
K-9879	Glassworks™ pivot shower door* OR	<input type="checkbox"/> SV	<input type="checkbox"/> BR	
K-9888	Glassworks™ pivot shower door*	<input type="checkbox"/> SV	<input type="checkbox"/> BR	

* Refer to Fixtures Price Book for glass options.

PRODUCT SPECIFICATION:

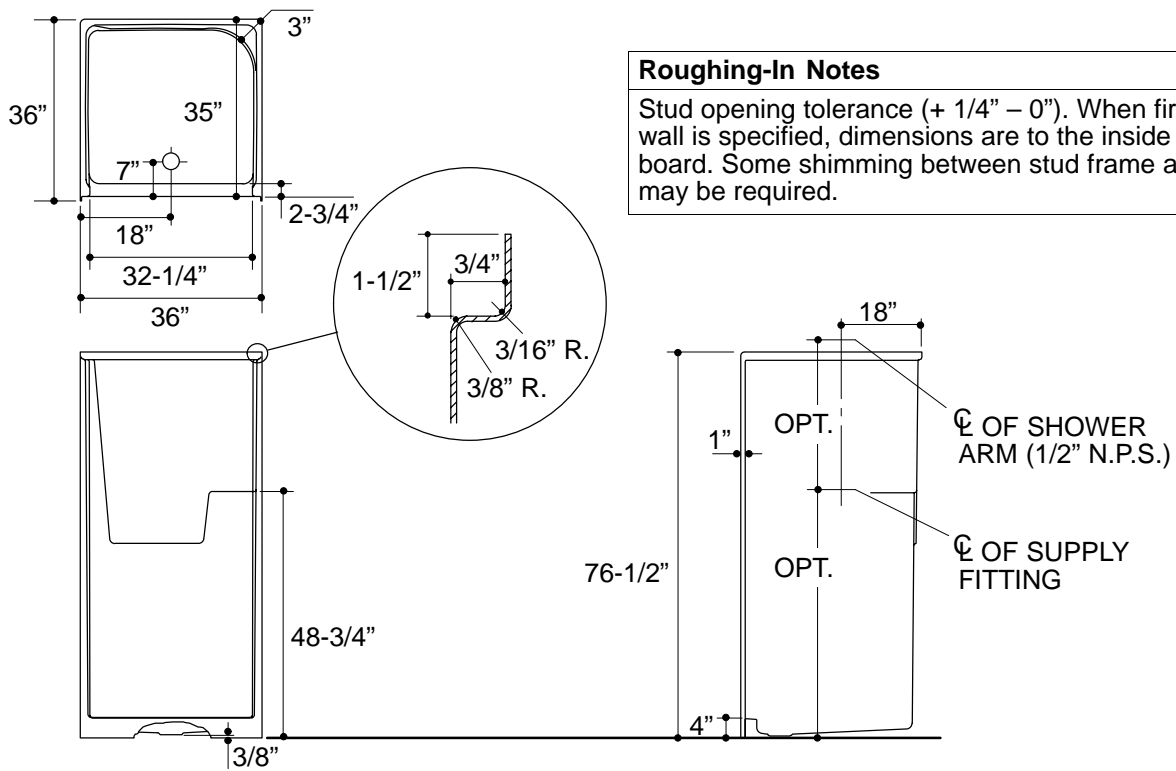
The one-piece seamless shower module shall be 36" in length, 36" in width, and 76-1/2" in height. Shower module shall be made of fiberglass (FRP). Shower module shall have integral soap ledges. Shower module shall be Kohler Model K-1596-_____.

PRODUCT INFORMATION

Fixture:	
Weight	94 lbs.
Configuration	1-piece
Drain Outlet	3-3/8" D.

INSTALLATION NOTES

Fixture not drilled for supply fittings.
Shimming may be required to level fixture.



.85<132

PRODUCT DIAGRAM