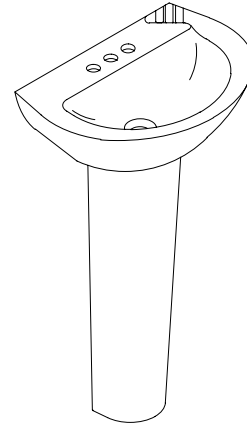


PEDESTAL LAVATORY

K-2175

FEATURES

- 19-3/4" x 14" x 32-7/8"
- Vitreous china
- Pedestal lavatory
- 4" centers (K-2175-4) or single-hole (K-2175-1) drilling



CODES/STANDARDS APPLICABLE

Specified model meets or exceeds the following:

- ASME/ANSI A112.19.2M

COLORS/FINISHES

- 0 White
- Other Refer to Fixtures Price Book for additional colors

Accessories:

- CP Polished Chrome
- Other Refer to Faucets Price Book for additional finishes

SPECIFIED MODEL:

Model	Description	Colors/Finishes	
K-2175-4	4" centers lavatory	<input type="checkbox"/> 0 White	<input type="checkbox"/> Other_____
K-2175-1	Single-hole lavatory	<input type="checkbox"/> 0 White	<input type="checkbox"/> Other_____

Recommended Accessories			
K-7605-P	Lavatory supplies 3/8" (pair)	<input type="checkbox"/> CP	<input type="checkbox"/> Other_____
K-8998	Trap	<input type="checkbox"/> CP	<input type="checkbox"/> Other_____

PRODUCT SPECIFICATION:

The pedestal lavatory shall be 19-3/4" in length, 14" in width, and 32-7/8" in height. Pedestal lavatory shall be made of vitreous china. Pedestal lavatory shall have 4" centers (K-2175-4), or single-hole (K-2175-1) drilling. Pedestal lavatory shall be Kohler Model K-2175-_____-_____.

PRODUCT INFORMATION

Fixture*:		basin area	water depth
Lavatory		16" x 9"	3-1/2"
Outlet	1-3/4" D.		
* Approximate measurements for comparison only.			

Holes	K-2175-4	K-2175-1	
Spout	1-3/16" D.	1-3/8" D.	
Faucet	1-3/16" D.		

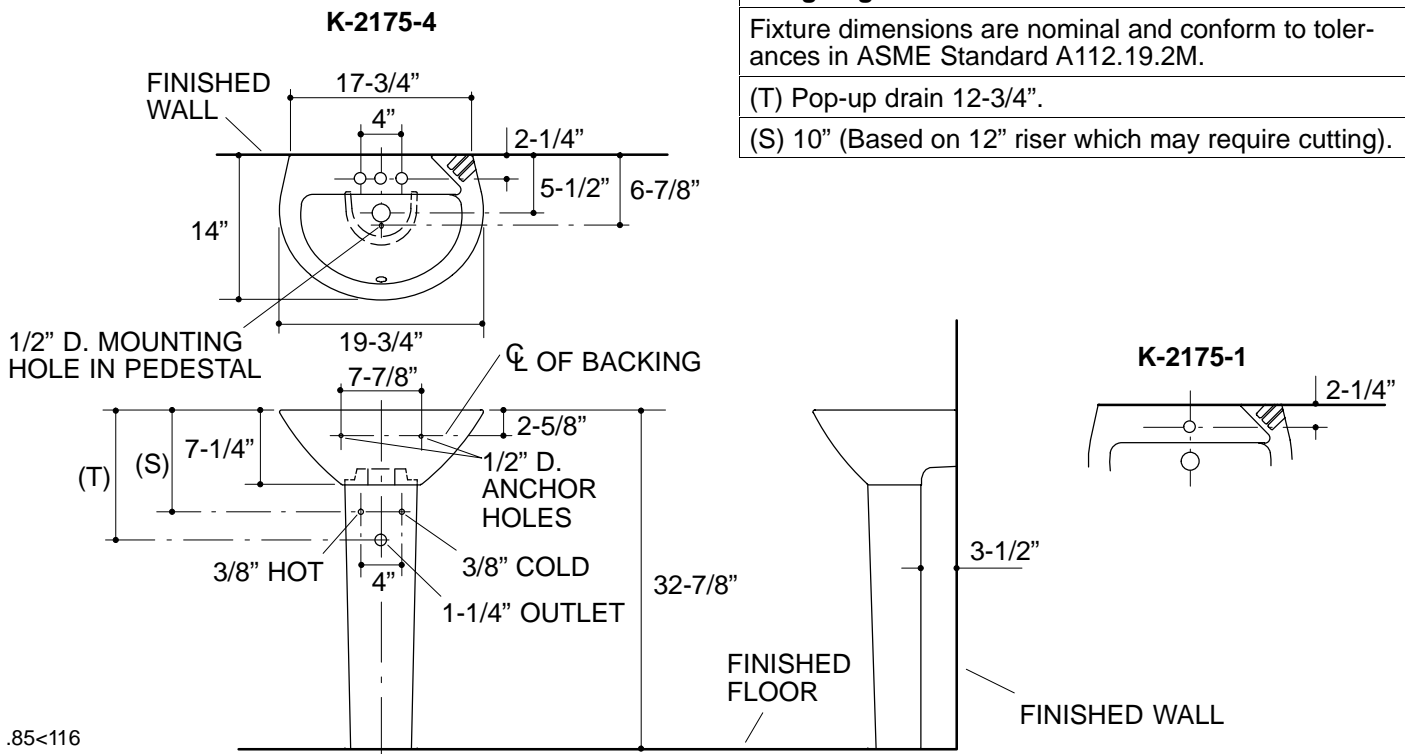
Included Components:	
Lavatory basin, 4" centers	K-2176-4
Lavatory basin, single-hole	K-2176-1
Pedestal	K-2177
Pedestal accessory pack	52204
Rubber pads	63069

Roughing-In Notes

Fixture dimensions are nominal and conform to tolerances in ASME Standard A112.19.2M.

(T) Pop-up drain 12-3/4".

(S) 10" (Based on 12" riser which may require cutting).



PRODUCT DIAGRAM