

## Ordering Information

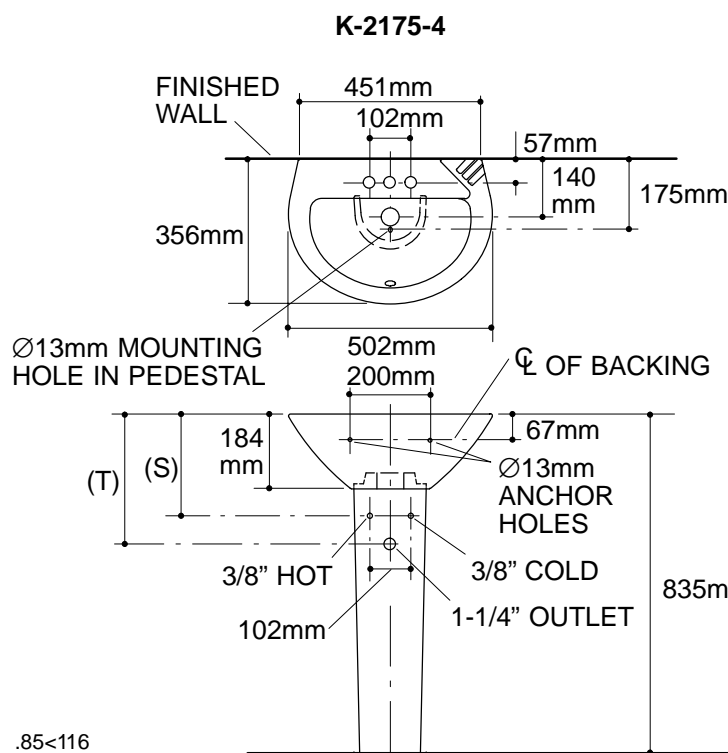
Applicable product:		
102mm centers lavatory	K-2175-4	shown
Single-hole lavatory	K-2175-1	not shown

## Product Information

Fixture*:		basin area	water depth
Lavatory		406 x 229mm	89mm
Outlet	Ø44mm		
* Approximate measurements for comparison only.			

Holes	<b>K-2175-4</b>	<b>K-2175-1</b>	
Spout	Ø30mm	Ø35mm	
Faucet	Ø30mm		

Included Components:	
Lavatory basin, 102mm centers	K-2176-4
Lavatory basin, single-hole	K-2176-1
Pedestal	K-2177
Pedestal accessory pack	52204
Rubber pads	63069

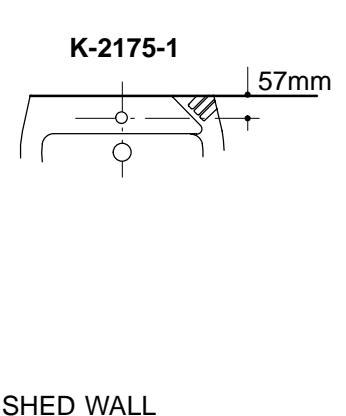


## Roughing-In Notes

Fixture dimensions are nominal and conform to tolerances in ASME Standard A112.19.2M.

(T) Pop-up drain 324mm.

(S) 254mm (Based on 305mm riser which may require cutting).



.85<116