

Ordering Information

Applicable product:		
Left outlet	K-1353	not shown
Right outlet	K-1354	shown
Accessories/hardware:		
Drain	K-7167	recommended
Apron shipped assembled; pan is integral to unit.		

Requirements Electrical Service

Circuit must be protected with Class A Ground-Fault Circuit-Interrupter (GFCI):	
Door seal system	120 V., 60 Hz, 20 A.

Product Information

Fixture*:	basin area	top area	weight
Bathing well	43" x 20"	52" x 25"	143 lbs.
	water depth	capacity	
To overflow	19-1/4"	80 gals.	

* Approximate measurements for comparison only.

Installation Notes

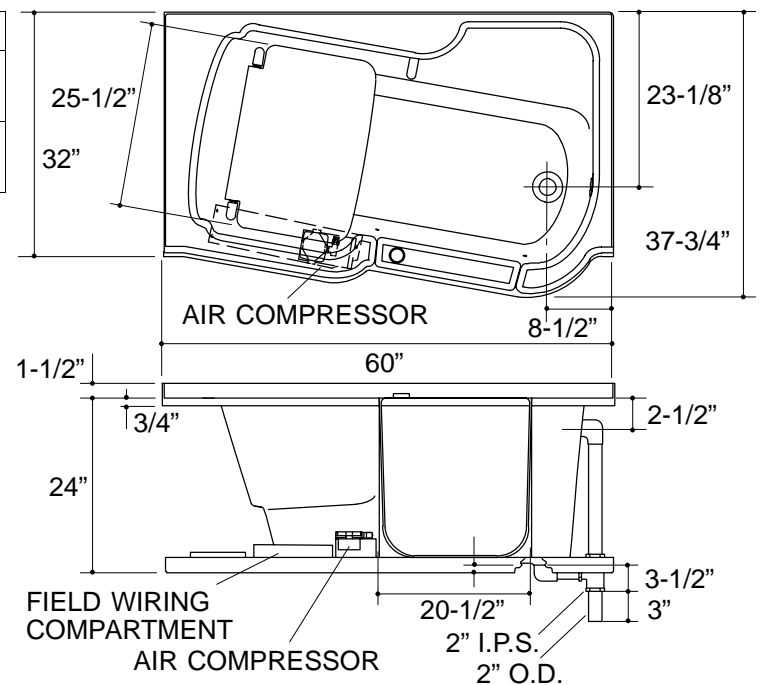
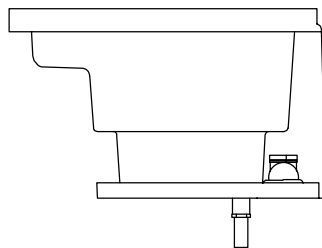
Refer to installation instructions included with fixture before beginning installation.

Finished floor thickness 1/2" max. above bottom of support base pan. For thicker flooring, provide additional subflooring under bath.

Roughing-In Notes

Fixture dimensions are nominal and conform to tolerances in ANSI Standard Z124.1.

No change in measurements if connected with drain illustrated.



1.25>132