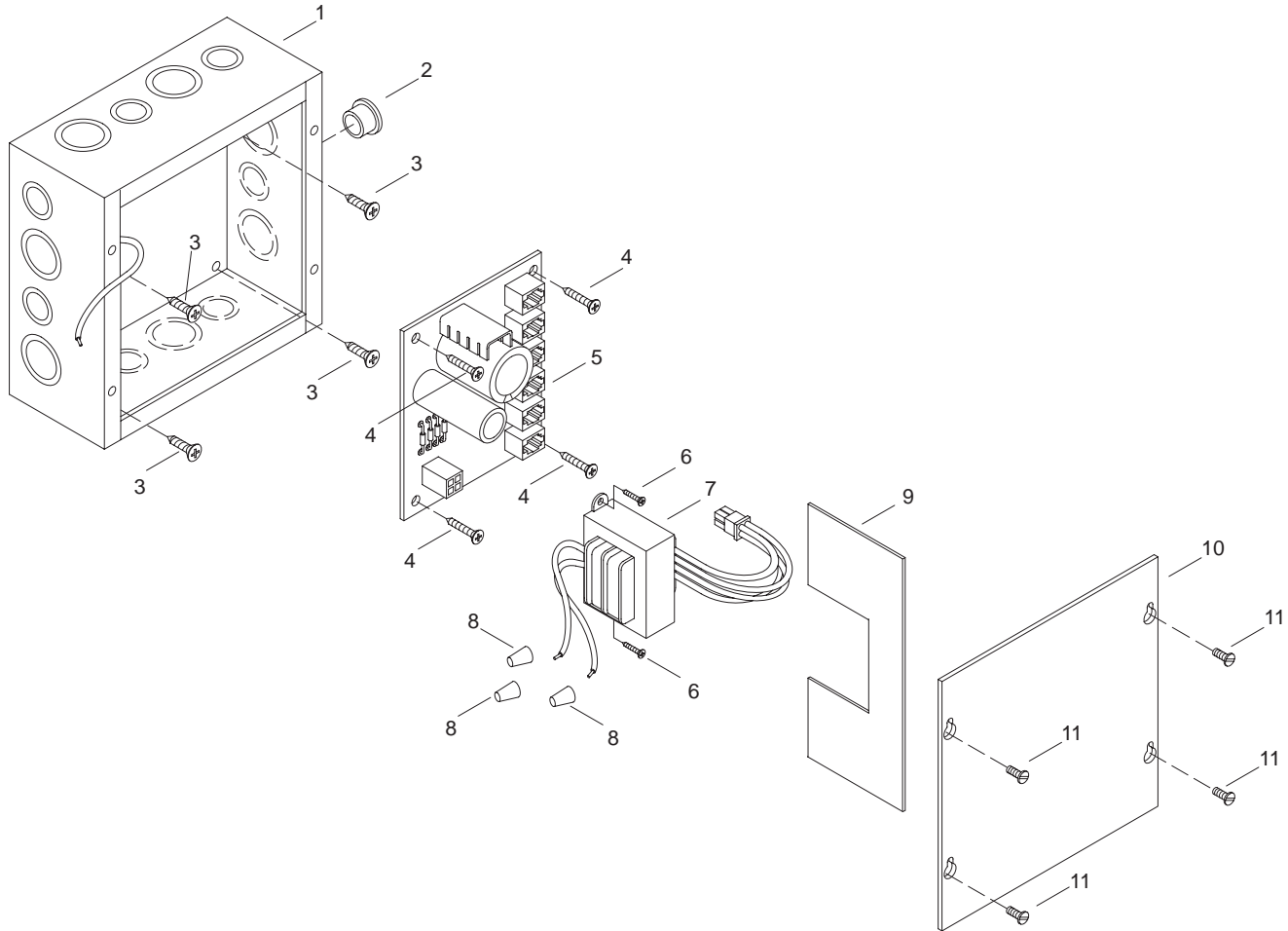


KOHLER® SERVICE PARTS

MULTIPLE TOUCHLESS
POWER SUPPLY
K-13684-BA



SERVICE PARTS

ITEM NO.	PART NO.	DESCRIPTION
1	73299	Box, Wall Mount
2	58285	.875 Insulated Bushing
3	90993	Screw, Drywall, 1.25
4		Not Available As A Service Part
5	73386	Circuit Board Assembly
6		Not Available As A Service Part
7	73302	Transformer
8	58284	Wire Nut Connector
9	73303	Divider
10	73300	Plate, Cover
11	66506	Screw, .190-32 UNC-2A x .500

SERVICE KITS

PART NO.	ITEM NO.	QTY.	DESCRIPTION
73301	1	1 ea.	Enclosure Assembly
	3	4 ea.	Box, Wall Mount
	10	1 ea.	Plate, Cover
58290	2	1 ea.	Hardware Assembly
	8	3 ea.	.875 Insulated Bushing
	11	4 ea.	Wire Nut Connector
			Screw, .190-32 UNC-2A x .500

Variation and/or finish/color code may be required when ordering.