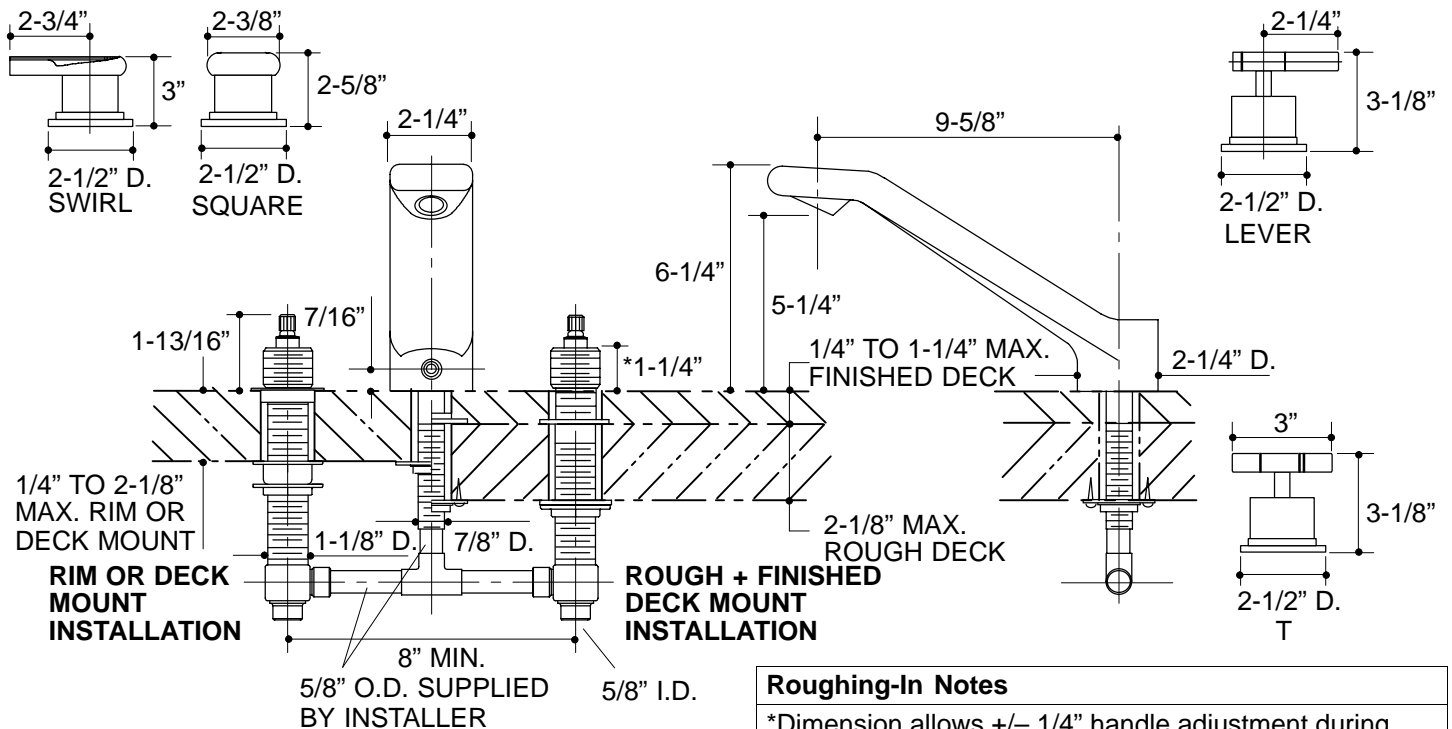


## Ordering Information

Applicable faucet trim:		
Square handles with spout*	K-T8230-2	
Lever handles with spout*	K-T8230-4	
Swirl Lever-handles with spout*	K-T8230-4A	
T-handles with spout*	K-T8230-6	
*1/2" valve system must be ordered to complete faucet		
Applicable valve:		
1/2" valve system	K-300-K-NA	required**
** Required for configuration illustrated.		
<b>ADA</b> Lever handles are ADA compliant		



316

**K-T8230, K-300-K Taboret® Bath Faucet**  
113056-1-BA (-)

**KOHLER®**

**NOTES:**