

Ordering Information

Applicable product with left-hand trip lever:		
Toilet	K-3544	shown
Tank	K-4413	shown
Toilet with tank cover locks	K-3544-T	not shown
Toilet with bedpan lugs	K-3544-L	not shown
Applicable product with right-hand trip lever:		
Toilet	K-3544-RA	not shown
Tank	K-4413-RA	not shown
Toilet with tank cover locks	K-3544-TR	not shown
Toilet with bedpan lugs	K-3544-LR	not shown
Accessories/hardware:		
3/8" supply	K-7637	recommended
Floor bolts (pr.)	21401	recommended
Seat	K-4652	recommended
Seat, French Curve	K-4653	

Product Information

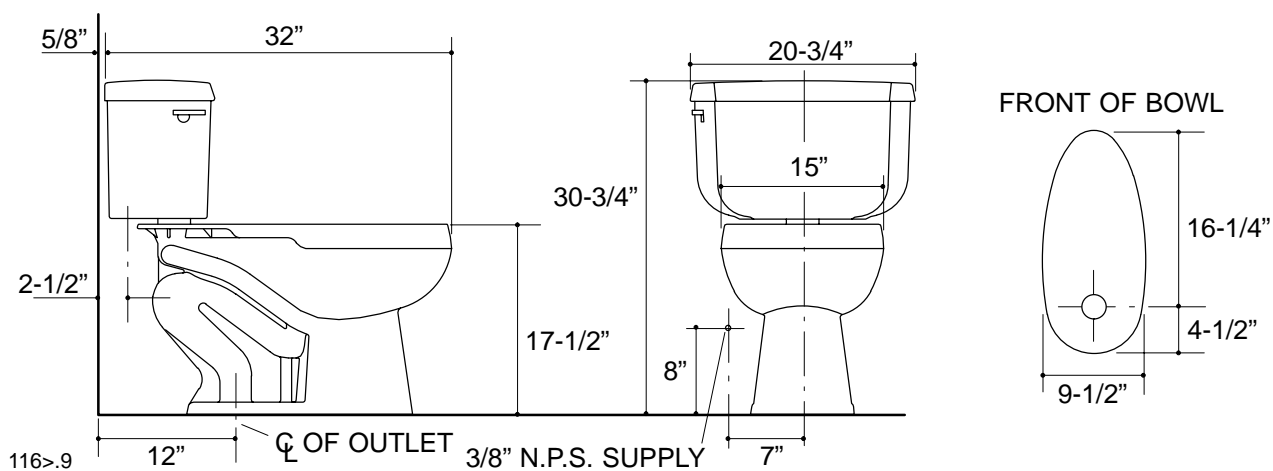
ADA compliant.	
Fixture:	
Configuration	2-piece, elongated
Gallons per flush	1.6 gallons
Passageway	2-1/4"
Water depth from rim	7"
Seat post hole centers	5-1/2"
Minimum static pressure required	20 p.s.i.
Maximum static pressure	80 p.s.i.
Included Components*:	
Bowl	K-4324
Tank	K-4413
Tank cover	81449
Bolt cap accessory pack	52048
Tank accessory pack	73062
Trip lever, left hand	K-9436-L
Trip lever, right hand	K-9436-R
*Equipped with Sloan Flushmate™ – Sloan Valve Company	

Roughing-In Notes

Fixture dimensions are nominal and conform to tolerances in ASME Standard A112.19.2M.

For back to back installations, the toilet shall be connected to the vertical stack using one of the three following fittings:

- A double fixture fitting.
- A double combination wye and 1/8 bends.
- A double wye and 1/8 bends.



K-3544 Highline™ Toilet
113112-1-HA (-)