

**LAVATORY DRAIN  
K-7701**

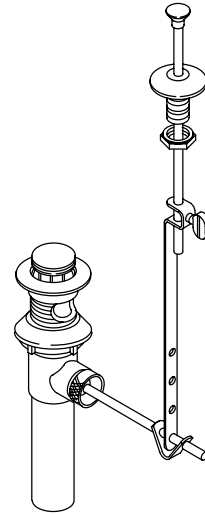
**FEATURES**

- Brass construction
- Available with or without pop-up assembly
- 1-1/4" connection
- Brass tailpiece

**CODES/STANDARDS APPLICABLE**

Specified model meets or exceeds the following:

- ASME/ANSI A112.18.1M
- CSA B125
- IAPMO/UPC



**COLORS/FINISHES**

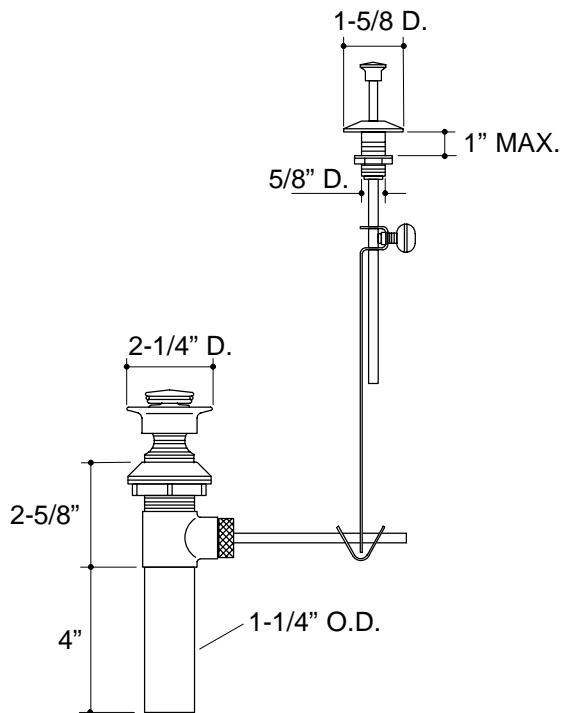
- CP Polished Chrome

**SPECIFIED MODEL:**

Model	Description	
K-7701	Lavatory Drain With Pop-Up Assembly	<input type="checkbox"/> CP

**PRODUCT SPECIFICATION:**

Lavatory drain shall be of brass construction. Product shall feature cast brass body, brass tailpiece, and 1-1/4" O.D. connection. Optional feature shall be with or without pop-up assembly. Drain shall be Kohler Model K-7701-CP.



316

## PRODUCT DIAGRAM