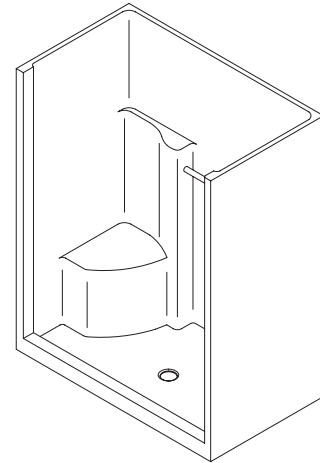


FEATURES

- 60" x 36" x 76-1/2"
- Fiberglass (FRP)
- Acrylic grab bar
- Two integral seats
- Two-piece design for remodeling installations



CODES/STANDARDS APPLICABLE

Specified model meets or exceeds the following:

- ANSI Z124.2
- IAPMO/UPC
- State of Massachusetts

COLORS/FINISHES

- 0 White
- Other Refer to Fixtures Price Book for additional colors

Accessories:

- 0 White
- CP Polished Chrome
- PB Polished Brass
- SH Bright Silver
- BH Bright Brass
- Other Refer to Faucets Price Book for additional finishes

SPECIFIED MODEL:

Model	Description	Colors/Finishes	
K-1528	Shower module	<input type="checkbox"/> 0 White	<input type="checkbox"/> Other_____

Recommended Accessories			
K-9132	Drain	<input type="checkbox"/> CP	<input type="checkbox"/> PB <input type="checkbox"/> Other_____

Optional Accessories				
K-701129	Focal bypass bath and shower door* OR	<input type="checkbox"/> SH	<input type="checkbox"/> BH	<input type="checkbox"/> 0 White
K-704016	Helios™ 4-panel bath and shower door* OR	<input type="checkbox"/> SH	<input type="checkbox"/> BH	<input type="checkbox"/> 0 White
K-703026	Forum™ bypass bath and shower door*	<input type="checkbox"/> SH	<input type="checkbox"/> BH	<input type="checkbox"/> 0 White

* Refer to Fixtures Price Book for glass options.

PRODUCT SPECIFICATION:

The two piece shower module shall be 60" in length, 36" in width, and 76-1/2" in height. Shower module shall be made of fiberglass (FRP). Shower module shall have acrylic grab bar. Shower module shall have two integral seats. Shower module shall be Kohler Model K-1528-_____.

CAPE HATTERAS™ II

PRODUCT INFORMATION

Fixture:	
Weight	159 lbs.
Configuration	2-piece
Drain Outlet	3-3/8" D.

INSTALLATION NOTES

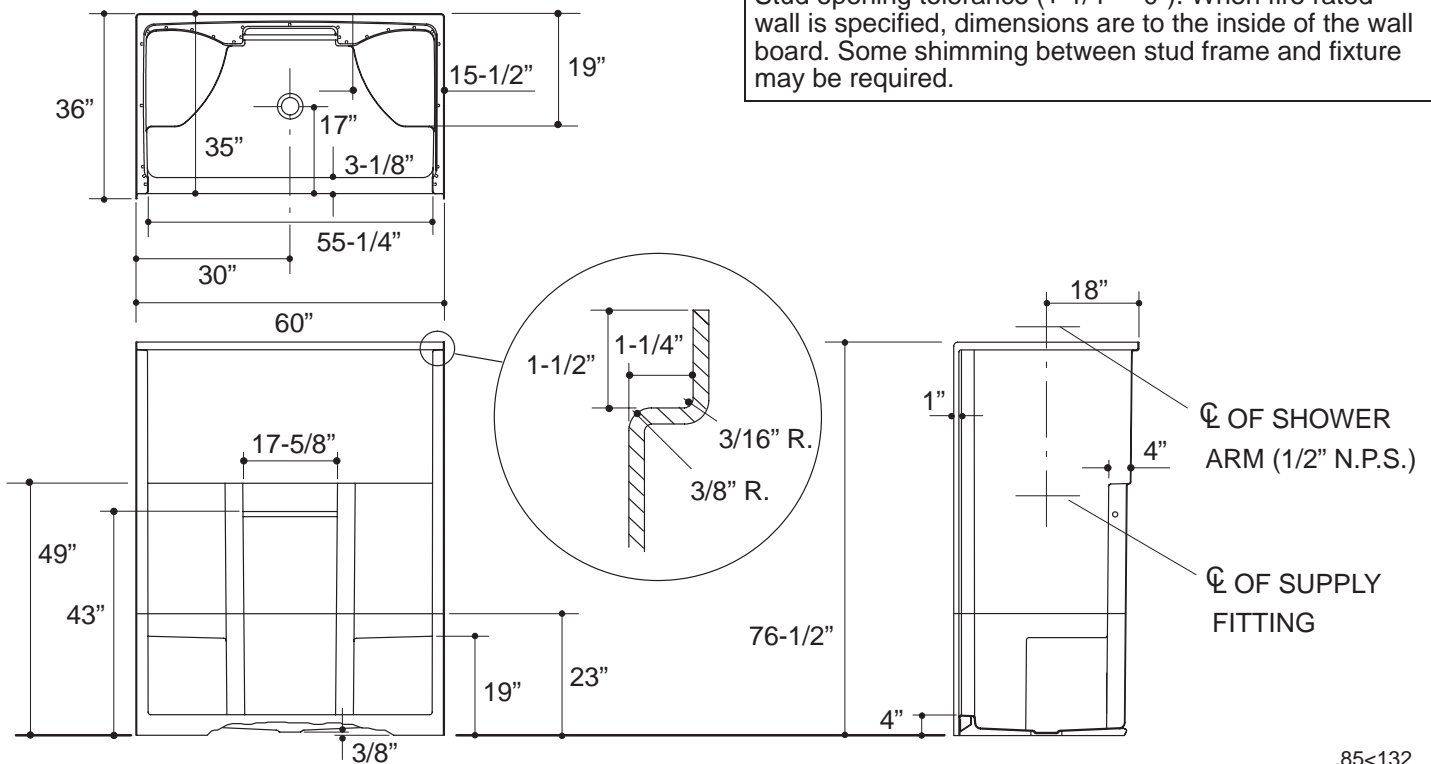
Fixture not drilled for supply fittings.

Shimming may be required to level fixture.

Mastershower K-74 and K-75 not recommended.

ROUGHING-IN NOTES

Stud opening tolerance (+ 1/4" - 0"). When fire rated wall is specified, dimensions are to the inside of the wall board. Some shimming between stud frame and fixture may be required.



.85<132

PRODUCT DIAGRAM