

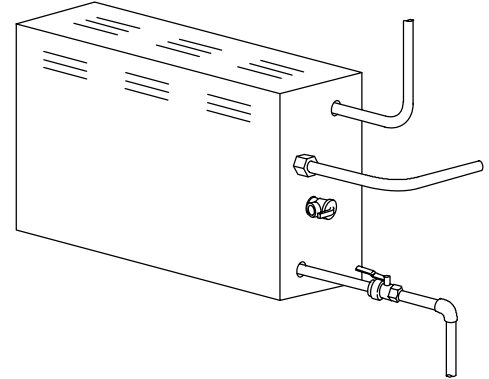
FEATURES

- Includes 5 kW generator
- Solid state Piezo on/off switch
- 20 minute safety shut-off and both polished brass and polished chrome steam hoods (only one is required)

CODES/STANDARDS APPLICABLE

Specified model meets or exceeds the following:

- Underwriters Laboratories (UL)
- State of Massachusetts



COLORS/FINISHES

- NA None Applicable

SPECIFIED MODEL:

Model	Description	Colors/Finishes
K-1559	Steam generator kit	<input type="checkbox"/> NA

PRODUCT SPECIFICATION:

The steam generator kit shall include 5 kW generator, solid state Piezo on/off switch, 20 minute safety shut-off and both polished brass and polished chrome steam hoods (only one is required). Steam generator shall be UL listed. Steam generator shall be Kohler Model K-1559.

STEAM GENERATOR

REQUIRED ELECTRICAL SERVICE

Dedicated circuit required, protected with Class A Ground-Fault Circuit-Interrupter (GFCI):	
Generator	5 kW, 240 V, 30 A, 60 Hz
Water and drain requirements:	
Water supply	1/4" copper line (compression fitting supplied)
Steam line	1/2" copper line (1/2" NPT thread)
Pressure relief valve	3/4" NPT thread (valve supplied)
Drain line	1/2" NPT thread (drain cap supplied)

PRODUCT INFORMATION

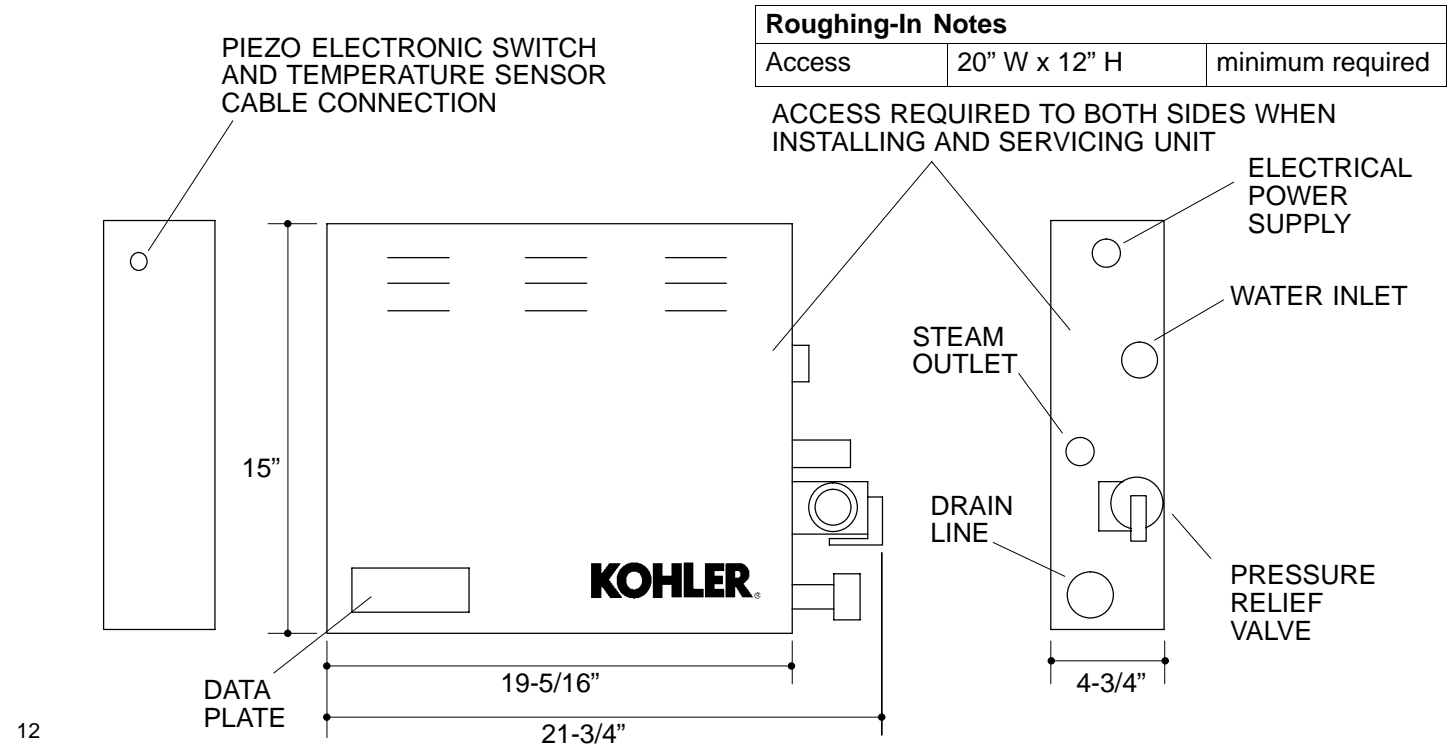
Generator:	
Weight	27-1/2 lbs.

INSTALLATION NOTES

Connect in accordance with local codes. Installer must provide suitable strain relief bushing for 7/8" D. hole.

Fixture dimensions are nominal.

Steam generator mounting location should be within 10' of and slightly higher than the steam head outlet for optimum performance.



PRODUCT DIAGRAM