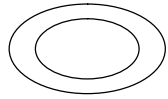
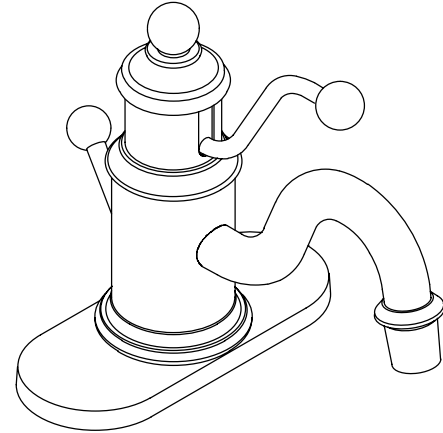


**ADA**

**FEATURES**

- Brass construction
- Single-hole mounting
- One-piece self-contained ceramic disc valve allows both volume and temperature control
- Temperature memory allowing faucet to be turned on and off at any temperature setting
- 5-3/8" spout
- 2.0 gallons per minute
- Pop-up drain with lift rod and tailpiece
- Lever handle
- Available with or without 6" escutcheon plate



**CODES/STANDARDS APPLICABLE**

Specified model meets or exceeds the following:

- ASME/ANSI A112.18.1M
- Energy Policy Act of 1992
- IAPMO/UPC
- NSF 61

**COLORS/FINISHES**

- CP Polished Chrome
- PB Polished Brass

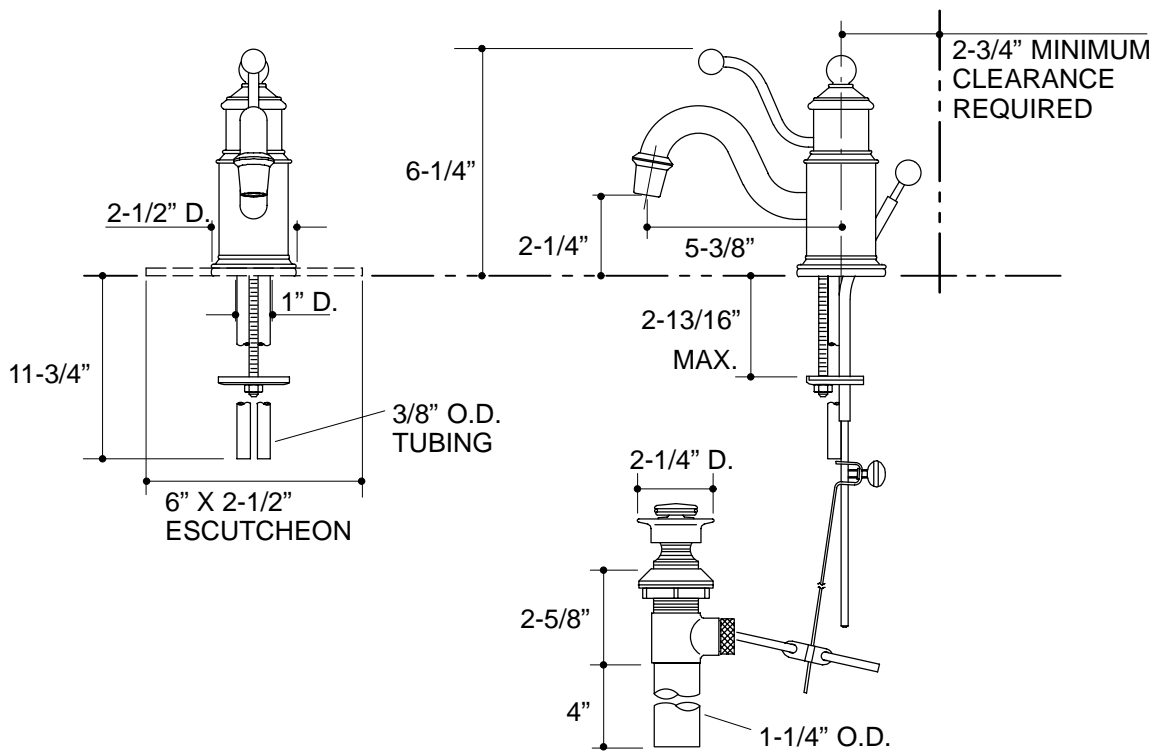
**SPECIFIED MODEL:**

Model	Description		
K-138	With Escutcheon Plate	<input type="checkbox"/> CP	<input type="checkbox"/> PB
K-139	Less Escutcheon Plate	<input type="checkbox"/> CP	<input type="checkbox"/> PB

Optional Accessory			
K-167	6" Escutcheon Plate	<input type="checkbox"/> CP	<input type="checkbox"/> PB

**PRODUCT SPECIFICATION:**

Single-hole lavatory faucet shall be of brass construction. The valve shall be a one-piece, self-contained ceramic disc valve, and allows both volume and temperature control. The valve shall feature temperature memory, allowing the faucet to be turned on and off at any temperature setting. Product shall include 5-3/8" spout, pop-up drain with lift rod and tailpiece, and lever handle. Optional feature shall be with or without 6" escutcheon plate. Faucet shall be Kohler Model K-\_\_\_\_\_ - \_\_\_\_\_.



316

PRODUCT DIAGRAM