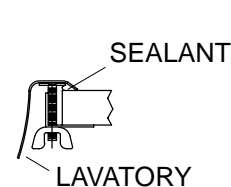
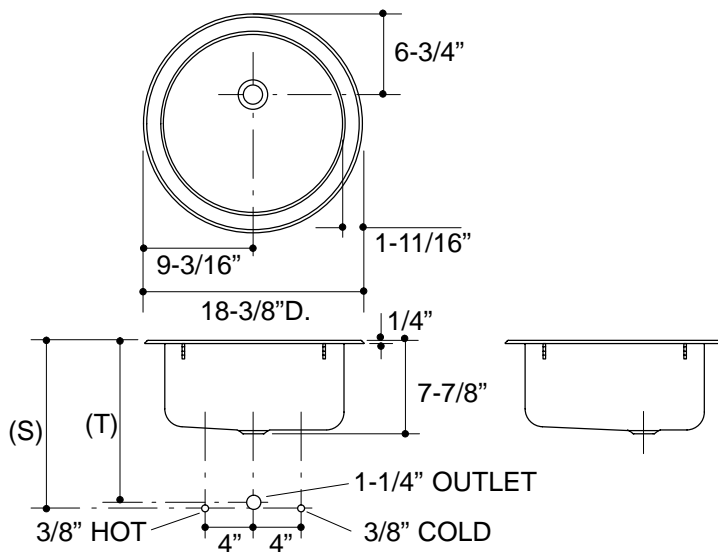


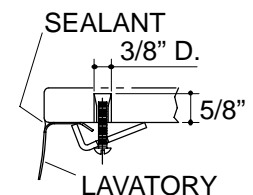
Product Information

Fixture*:		basin area	water depth
Lavatory		15" D.	7-1/2"
Outlet	1-5/8" D.		
* Approximate measurements for comparison only.			
Included Components:			
Basin clamp assembly (undercounter)		68922	
Basin clamp assembly (self-rimming)		56655	
Drain gasket		33507	
Tube		62603	
Cutout template		113392	



**SELF-RIMMING
INSTALLATION**

KIT #56655



**SOLID SURFACE
INSTALLATION**

KIT #68922

**NOTE: WATERPROOF UNPROTECTED OVERHANG
AREA OF THE UNDERSIDE OF WOOD COUNTER.**

Roughing-In Notes

Fixture dimensions are nominal and conform to tolerances in ASME/ANSI Standard A112.19.3M.

(T) Pop-up drain 13-1/2", drain 12-5/8".

(S) 14" (Based on 12" riser which may require cutting).

Supplied basin clamp assemblies require 1" minimum countertop thickness. Installer must supply hardware for thinner countertops.

Minimum 21" base cabinet required.