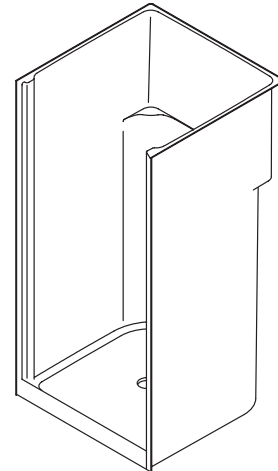


FEATURES

- 36" x 36" x 73-1/2"
- Fiberglass (FRP)
- Built-in soap ledges
- Regional availability



CODES/STANDARDS APPLICABLE

Specified model meets or exceeds the following:

- ANSI Z124.2
- IAPMO/UPC
- Canadian Standards Association (CSA)

COLORS/FINISHES

- 0 White
- 47 Almond
- 96 Biscuit

Accessories:

- 0 White
- CP Polished Chrome
- PB Polished Brass
- SH Bright Silver
- BH Bright Brass
- Other Refer to Faucets Price Book for additional finishes

SPECIFIED MODEL:

Model	Description	Colors/Finishes		
K-1531	Shower stall	<input type="checkbox"/> White	<input type="checkbox"/> Almond	<input type="checkbox"/> Biscuit

Recommended Accessories				
K-9132	Drain	<input type="checkbox"/> CP	<input type="checkbox"/> PB	<input type="checkbox"/> Other _____

Optional Accessories				
K-705014	Arica™ pivot shower door* OR	<input type="checkbox"/> SH	<input type="checkbox"/> BH	<input type="checkbox"/> White
K-701225	Focal pivot shower door*	<input type="checkbox"/> SH	<input type="checkbox"/> BH	<input type="checkbox"/> White

* Refer to Fixtures Price Book for glass options.

PRODUCT SPECIFICATION:

The one-piece shower stall shall be 36" in length, 36" in width, and 73-1/2" in height. Shower stall shall be made of fiberglass (FRP). Shower stall shall have built-in soap ledges. Shower stall shall be Kohler Model K-1531-_____.

COMPLIMENT™

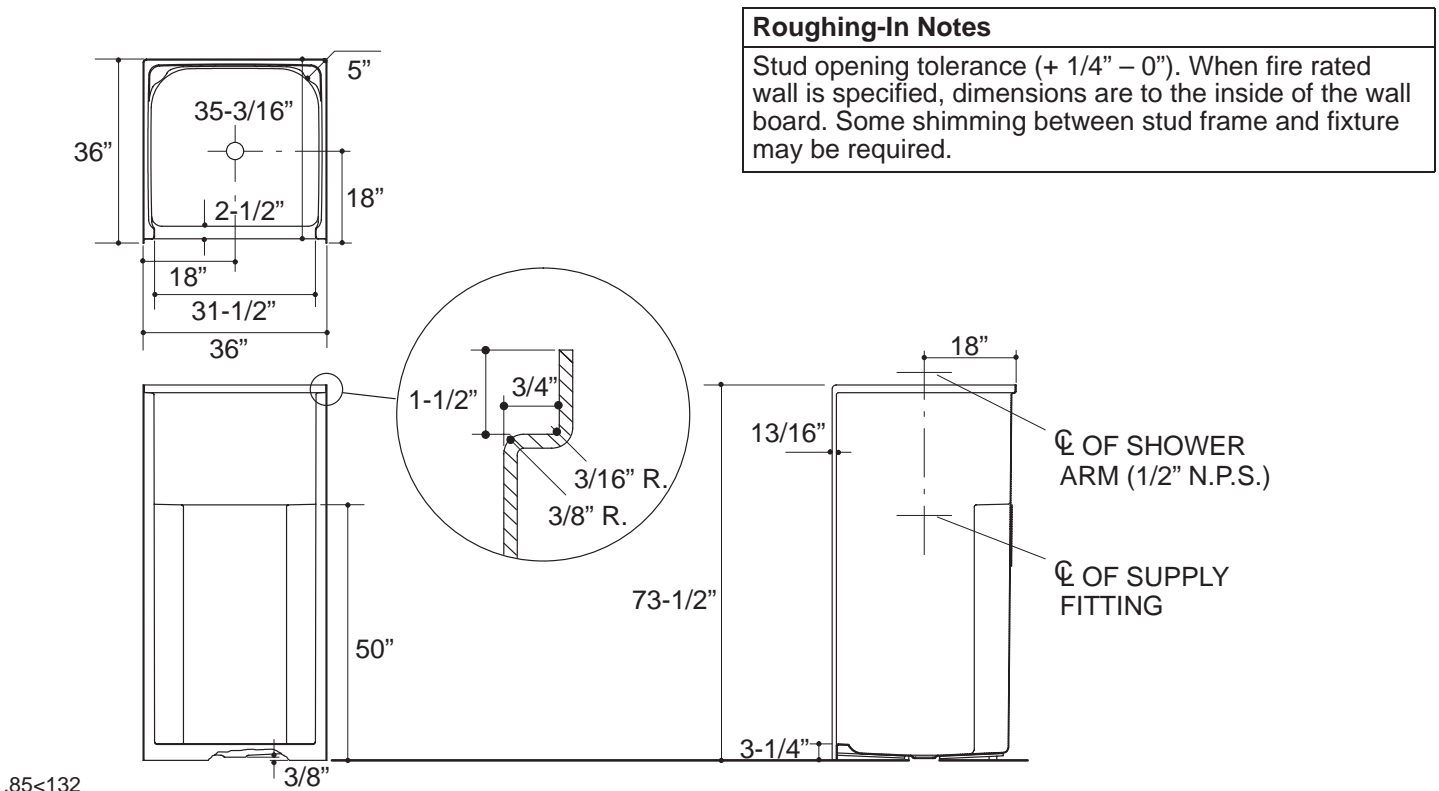
PRODUCT INFORMATION

Fixture:	
Weight	79 lbs.
Configuration	1-piece
Drain Outlet	3-3/8" D.

INSTALLATION NOTES

Fixture not drilled for supply fittings.

Shimming may be required to level fixture.



PRODUCT DIAGRAM