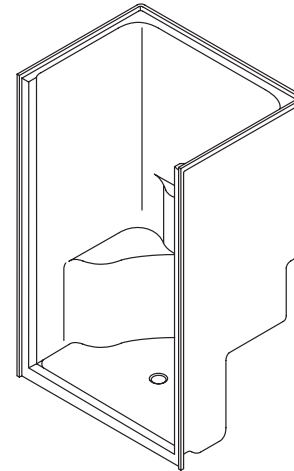


FEATURES

- 48" x 36" x 73-1/2"
- Fiberglass (FRP)
- Built-in soap ledges
- Two integral seats
- Regional availability



CODES/STANDARDS APPLICABLE

Specified model meets or exceeds the following:

- ANSI Z124.2
- IAPMO/UPC
- Canadian Standards Association (CSA)

COLORS/FINISHES

- 0 White
- 47 Almond
- 96 Biscuit

Accessories:

- CP Polished Chrome
- PB Polished Brass
- SH Bright Silver
- BH Bright Brass
- Other Refer to Faucets Price Book for additional finishes

SPECIFIED MODEL:

| Model | Description | Colors/Finishes | | |
|--------|--------------|--------------------------------|---------------------------------|----------------------------------|
| K-1534 | Shower stall | <input type="checkbox"/> White | <input type="checkbox"/> Almond | <input type="checkbox"/> Biscuit |

| Recommended Accessories | | | | |
|-------------------------|--------------------------------------|-----------------------------|-----------------------------|-------------------------------------|
| K-9132 | Drain | <input type="checkbox"/> CP | <input type="checkbox"/> PB | <input type="checkbox"/> Other_____ |
| K-701122 | Focal bypass shower door* OR | <input type="checkbox"/> SH | <input type="checkbox"/> BH | <input type="checkbox"/> White |
| K-703024 | Forum™ bypass shower door* OR | <input type="checkbox"/> SH | <input type="checkbox"/> BH | <input type="checkbox"/> White |
| K-704014 | Helios™ 4-panel shower door* | <input type="checkbox"/> SH | <input type="checkbox"/> BH | <input type="checkbox"/> White |

* Refer to Fixtures Price Book for glass options.

PRODUCT SPECIFICATION:

The one-piece shower stall shall be 48" in length, 36" in width, and 73-1/2" in height. Shower stall shall be made of fiberglass (FRP). Shower stall shall have built-in soap ledges. Shower stall shall have two integral seats. Shower stall shall be Kohler Model K-1534-_____.

COMPLIMENT™

PRODUCT INFORMATION

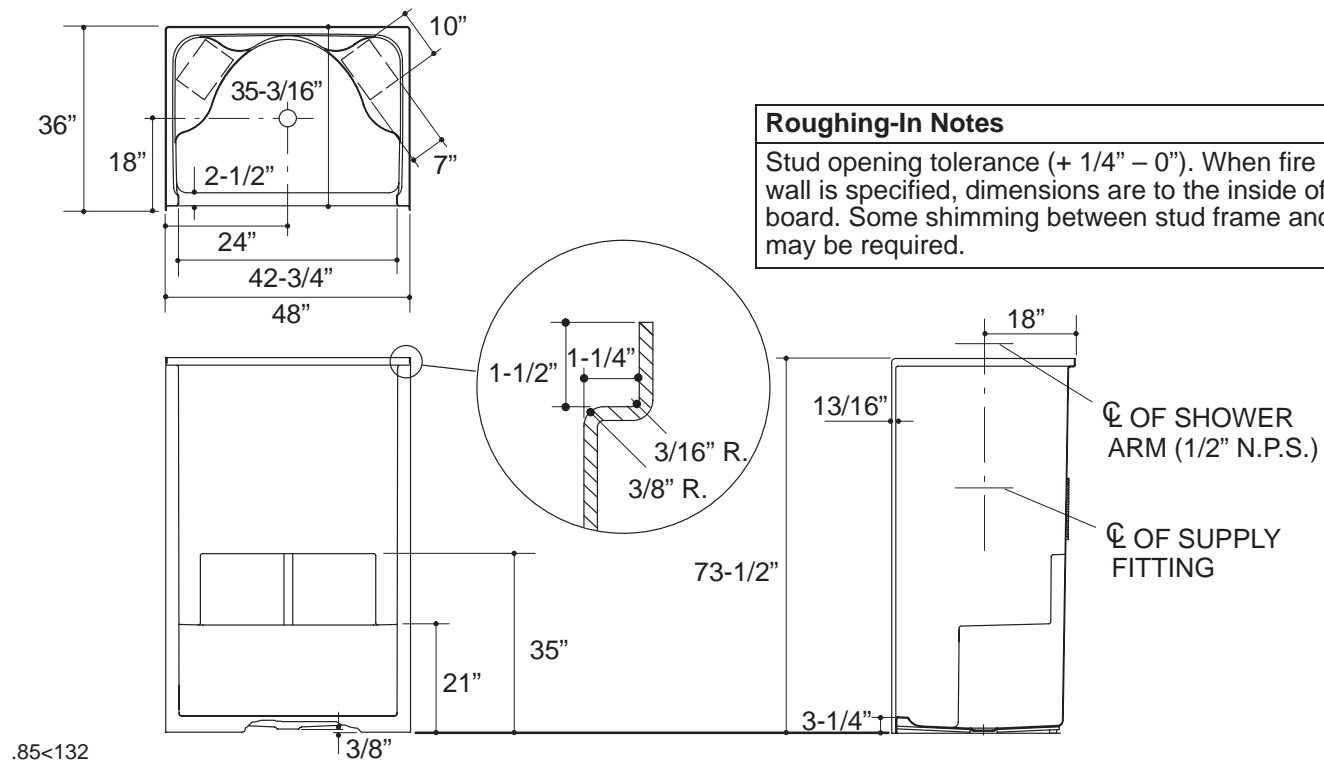
| | | |
|--|----------------------------------|-------------|
| Focal shower door or Forum™ shower door or Helios™ shower door | K-701122 or K-703024 or K-704014 | recommended |
|--|----------------------------------|-------------|

| | |
|---------------|-----------|
| Fixture: | |
| Weight | 92 lbs. |
| Configuration | 1-piece |
| Drain Outlet | 3-3/8" D. |

INSTALLATION NOTES

Fixture not drilled for supply fittings.

Shimming may be required to level fixture.



.85<132

PRODUCT DIAGRAM