

## Ordering Information

Accessories/hardware:		
Drain	K-9132	recommended
Glassworks shower door	K-9723	optional
Glassworks steam door	K-9724	optional
Steam generator	K-1559-BA	optional

## Product Information

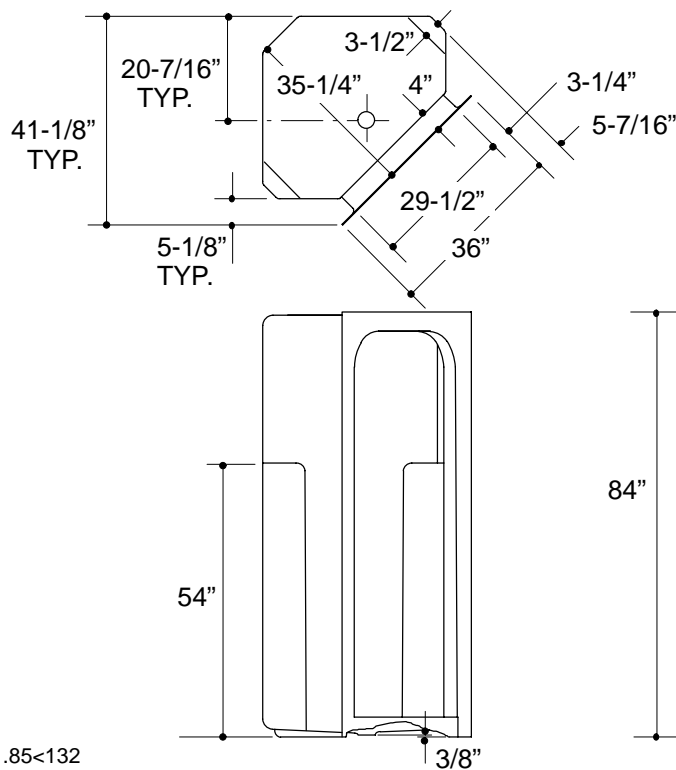
Fixture:	
Weight	148 lbs.
Configuration	1-piece
Drain Outlet	3-3/8" D.

## Installation Notes

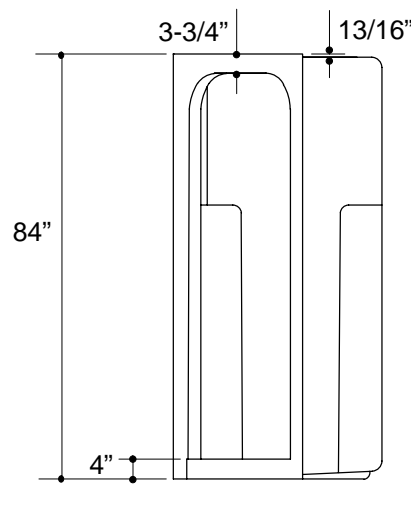
Refer to installation instructions included with fixture before beginning installation.

Fixture not drilled for supply fittings.

Shimming may be required to level fixture.



Roughing-In Notes
Fixture conforms to ANSI Standard Z124.2. All dimensions are nominal.
Stud opening tolerance (+ 1/4" – 0"). When fire rated wall is specified, dimensions are to the inside of the wall board. Some shimming between stud frame and fixture may be required.



.85<132