

### Ordering Information

Applicable product:		
Left outlet	K-1661	shown
Right outlet	K-1662	not shown
Accessories/hardware:		
Drain	K-7161-AF	recommended
Glassworks shower door	K-9855	recommended
Glassworks steam door	K-9846	optional
Forum bypass shower door	K-703014	optional
Steam generator	K-1559-BA	optional
Dome light	K-1570	optional

### Product Information

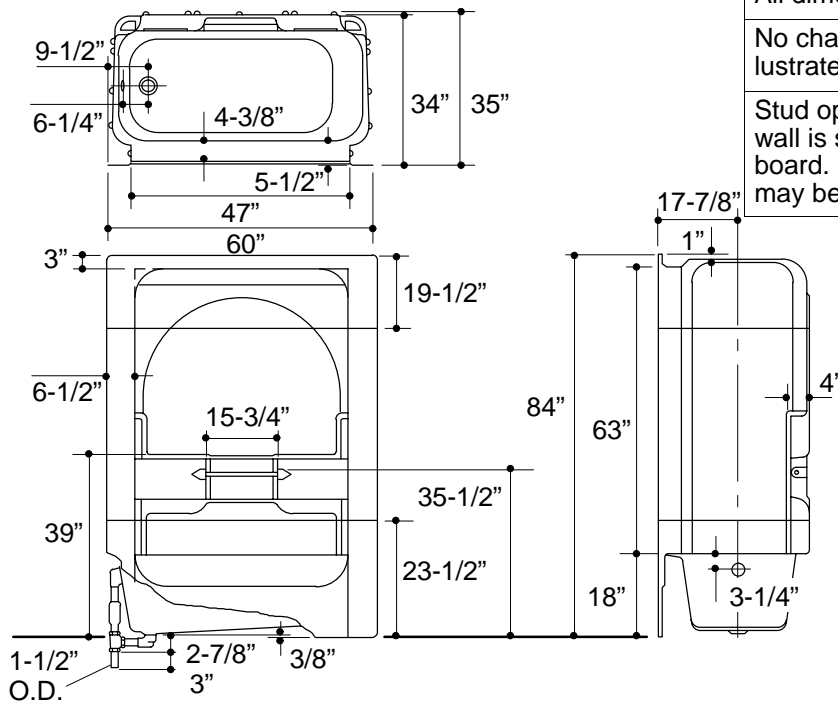
Fixture*:	basin area	top area	weight
Bathing well	42" x 21"	55" x 25"	208 lbs.
	water depth	capacity	
To overflow	12-1/2"	53 gals.	
Configuration			3-piece
Drain Outlet			3-3/8" D.
* Approximate measurements for comparison only.			

### Installation Notes

Refer to installation instructions included with fixture before beginning installation.

Fixture not drilled for supply fittings.

Shimming may be required to level fixture.



### Roughing-In Notes

Fixture conforms to ANSI Standard Z124.1 and Z124.2. All dimensions are nominal.

No change in measurements if connected with drain illustrated.

Stud opening tolerance (+ 1/4" - 0"). When fire rated wall is specified, dimensions are to the inside of the wall board. Some shimming between stud frame and fixture may be required.

.75<132