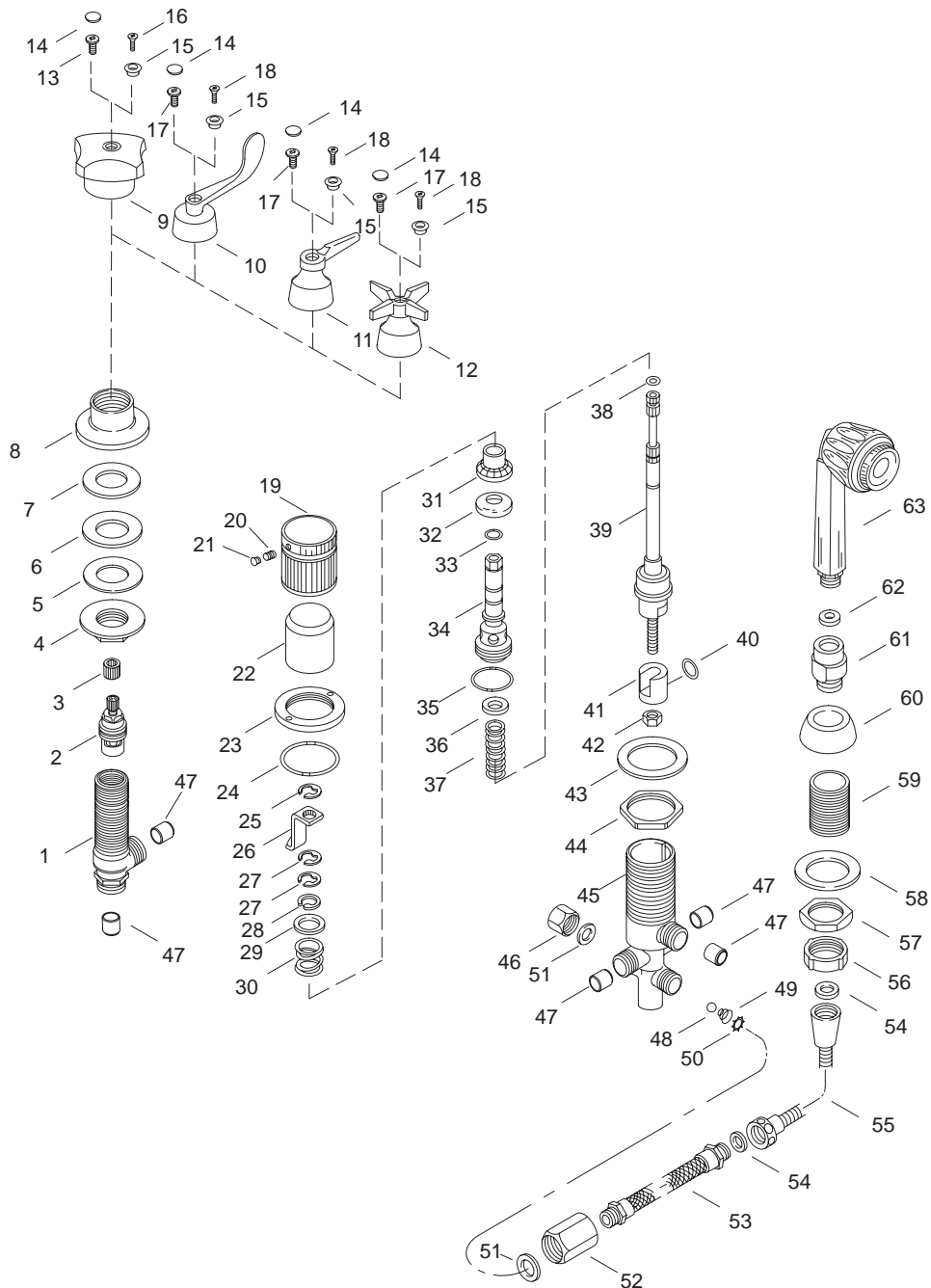


KOHLER[®] SERVICE PARTS

TRITON™ DECK-MOUNT PERSONAL SHOWER SYSTEM

| K# | Lever Handles | Cross Handles | Standard Handles | Wristblade Handles |
|--------------------|---------------|---------------|------------------|--------------------|
| K-7024-2X-**-AA/BA | | | X | |
| K-7024-3X-**-AA/BA | | X | | |
| K-7024-4X-**-AA/BA | X | | | |
| K-7024-5X-**-AA/BA | | | | X |



****Finish/color code must be specified when ordering.**

SERVICE PARTS

| ITEM | PART NO. | DESCRIPTION |
|------|----------|---------------------------------|
| 1 | 55041 | Valve Assembly |
| 2 | 22376 | Valve (Clockwise Close) |
| | 22377 | Valve (Counterclockwise Close) |
| 3 | 59027 | Spline Adapter |
| | 73942 | Spline Adapter (For Wristblade) |
| 4 | 22351 | Nut |
| 5 | 22352 | Washer |
| 6 | 22400 | Washer |
| 7 | 34037 | Gasket |
| 8 | 52097** | Escutcheon |
| 9 | 52644** | Handle |
| 10 | 52926** | Handle |
| 11 | 52638** | Handle & Bonnet |
| 12 | 52641** | Handle & Bonnet |
| 13 | 56074 | Screw |
| 14 | 52622** | Cap |
| 15 | 52623-H | Cap-Red |
| | 52623-C | Cap-Blue |
| 16 | 58891-S | Screw |
| 17 | 31490 | Screw |
| 18 | 58892-S | Screw |
| 19 | 52714** | Handle |
| 20 | 34453 | Set Screw |
| 21 | 52723 | Plug |
| 22 | 52665** | Sleeve |
| 23 | 52666** | Flange |
| 24 | 48686 | O-Ring |
| 25 | 50593 | E-Ring |
| 26 | 50338 | Detent |
| 27 | 50541 | E-Ring |
| 28 | 54997 | Clip |
| 29 | 54996 | Washer |
| 30 | 54995 | Spring |
| 31 | 55003 | Ring |
| 32 | 55004 | Diaphragm |
| 33 | 55110 | O-Ring |
| 34 | 73485 | Valve Seat |
| 35 | 41391 | O-Ring |
| 36 | 55413 | Washer |
| 37 | 54998 | Spring |
| 38 | 55109 | O-Ring |
| 39 | 59239 | Stem |
| 40 | 55108 | O-Ring |
| 41 | 55001 | Spool |
| 42 | 57088 | Lock Nut |
| 43 | 54994 | Washer |
| 44 | 55002 | Nut |
| 45 | 73682 | Valve Body |
| 46 | 52745 | Hex Cap |
| 47 | 55766 | Bushing, Reducer |
| 48 | | Available in Service Kit Only |
| 49 | | Available in Service Kit Only |
| 50 | | Available in Service Kit Only |
| 51 | 40295 | Washer |
| 52 | 52724 | Coupling, Hex |
| 53 | 21485 | Hose |
| 54 | 41163 | Washer |
| 55 | | Available in Service Kit Only |
| 56 | 52593 | Cap Nut |
| 57 | 52595 | Nut |
| 58 | 52596 | Washer |
| 59 | 52594 | Tube |
| 60 | 75506** | Escutcheon |
| 61 | 75492** | Adapter |
| 62 | 56132 | Washer |
| 63 | 57998** | Elite Shower |

SERVICE KITS

| PART NO. | ITEM | QTY. | DESCRIPTION |
|----------|-------|-------|------------------------|
| 52540** | | | Escutcheon Subassembly |
| | 7 | 1 ea. | Gasket |
| | 8 | 1 ea. | Escutcheon |
| 500469 | 19-50 | | Diverter |

SERVICE KITS

| PART NO. | ITEM | QTY. | DESCRIPTION |
|----------|-------|-------|--------------------|
| 54991 | | | Valve |
| | 25 | 1 ea. | E-Ring |
| | 26 | 1 ea. | Detent |
| | 27 | 1 ea. | E-Ring |
| | 28 | 1 ea. | Clip |
| | 29 | 1 ea. | Washer |
| | 30 | 1 ea. | Spring |
| | 31 | 1 ea. | Ring |
| | 32 | 1 ea. | Diaphragm |
| | 33 | 1 ea. | O-Ring |
| | 34 | 1 ea. | Valve Seat |
| | 36 | 1 ea. | Washer |
| | 37 | 1 ea. | Spring |
| | 38 | 1 ea. | O-Ring |
| | 39 | 1 ea. | Stem |
| | 40 | 1 ea. | O-Ring |
| | 41 | 1 ea. | Spool |
| | 42 | 1 ea. | Lock Nut |
| | 43 | 1 ea. | Washer |
| | 44 | 1 ea. | Nut |
| | 45 | 1 ea. | Valve Body |
| | 48 | 1 ea. | Ball, Check |
| | 49 | 1 ea. | Spring |
| | 50 | 1 ea. | Retaining Ring |
| 73620 | | | Diverter |
| | 25 | 1 ea. | E-Ring |
| | 26 | 1 ea. | Detent |
| | 27 | 1 ea. | E-Ring |
| | 28 | 1 ea. | Clip |
| | 29 | 1 ea. | Washer |
| | 30 | 1 ea. | Spring |
| | 31 | 1 ea. | Ring |
| | 32 | 1 ea. | Diaphragm |
| | 33 | 1 ea. | O-Ring |
| | 34 | 1 ea. | Valve Seat |
| | 36 | 1 ea. | Washer |
| | 37 | 1 ea. | Spring |
| | 38 | 1 ea. | O-Ring |
| | 39 | 1 ea. | Stem |
| | 40 | 1 ea. | O-Ring |
| | 41 | 1 ea. | Spool |
| | 42 | 1 ea. | Lock Nut |
| 73619 | | | Seat |
| | 21 | 1 ea. | Plug |
| | 28 | 1 ea. | Clip |
| | 29 | 1 ea. | Washer |
| | 30 | 1 ea. | Spring |
| | 31 | 1 ea. | Ring |
| | 32 | 1 ea. | Diaphragm |
| | 33 | 1 ea. | O-Ring |
| | 34 | 1 ea. | Valve Seat |
| | 35 | 1 ea. | O-Ring |
| 57386 | | | O-Ring & Diaphragm |
| | 21 | 1 ea. | Plug |
| | 31 | 1 ea. | Ring |
| | 32 | 1 ea. | Diaphragm |
| | 33 | 1 ea. | O-Ring |
| | 35 | 1 ea. | O-Ring |
| | 38 | 1 ea. | O-Ring |
| | 40 | 1 ea. | O-Ring |
| 73617 | | | Seat |
| | 21 | 1 ea. | Plug |
| | 33 | 1 ea. | O-Ring |
| | 34 | 1 ea. | Valve Seat |
| | 35 | 1 ea. | O-Ring |
| 54992 | 36-42 | | Stem |
| 59237 | | | Check Valve Kit |
| | 48 | 1 ea. | Ball, Check |
| | 49 | 1 ea. | Spring |
| | 50 | 1 ea. | Retaining Ring |
| 21481** | | | Hose |
| | 54 | 2 ea. | Washer |
| | 55 | 1 ea. | Interlock Hose |

**Finish/color code must be specified when ordering.