

Ordering Information

Applicable product:		
Five-hole sink, undercounter	K-6573-5U	shown
Four-hole sink, tile-in	K-6573-4	not shown
Three-hole sink, tile-in	K-6573-3	not shown
Accessories/hardware:		
Hardwood cutting board	K-5984	optional

Product Information

Fixture*:		basin area	water depth
Sink		21" x 15"	8"
Outlet	3-7/8" D.		
Faucet holes, undercounter	2-1/2" D.		
Faucet holes, tile-in	1-3/8" D.		

* Approximate measurements for comparison only.

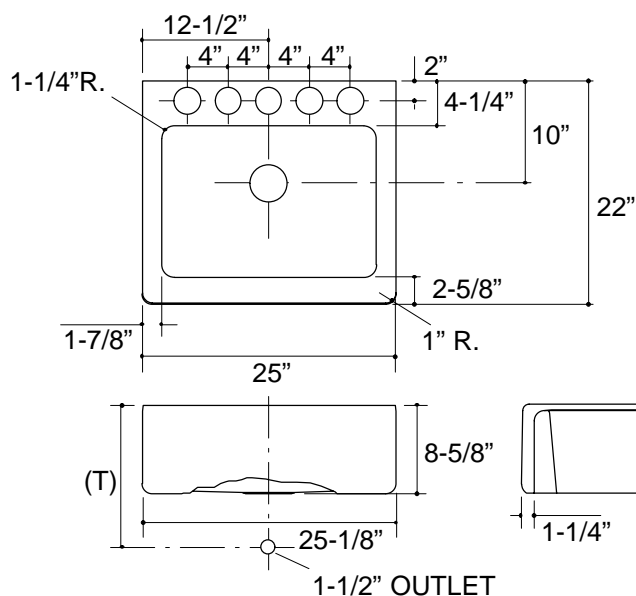
Installation Notes

Due to the special nature of this installation, Kohler Co. recommends that an experienced cabinet maker use the actual sink to build the new cabinet or modify an existing cabinet.

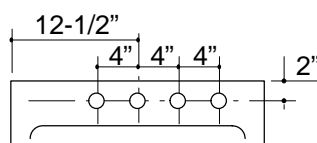
Refer to installation instructions included with fixture before beginning installation.

For K-5984 cutting board, allow 3/4" from inside of bowl to countertop opening.

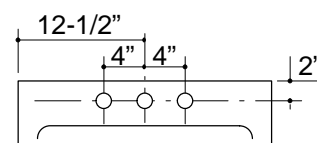
K-6573-5U



K-6573-4



K-6573-3



Roughing-In Notes

Fixture dimensions are nominal and conform to tolerances in ASME/ANSI Standard A112.19.9M.

(T) Drain typically 14".

.85<116