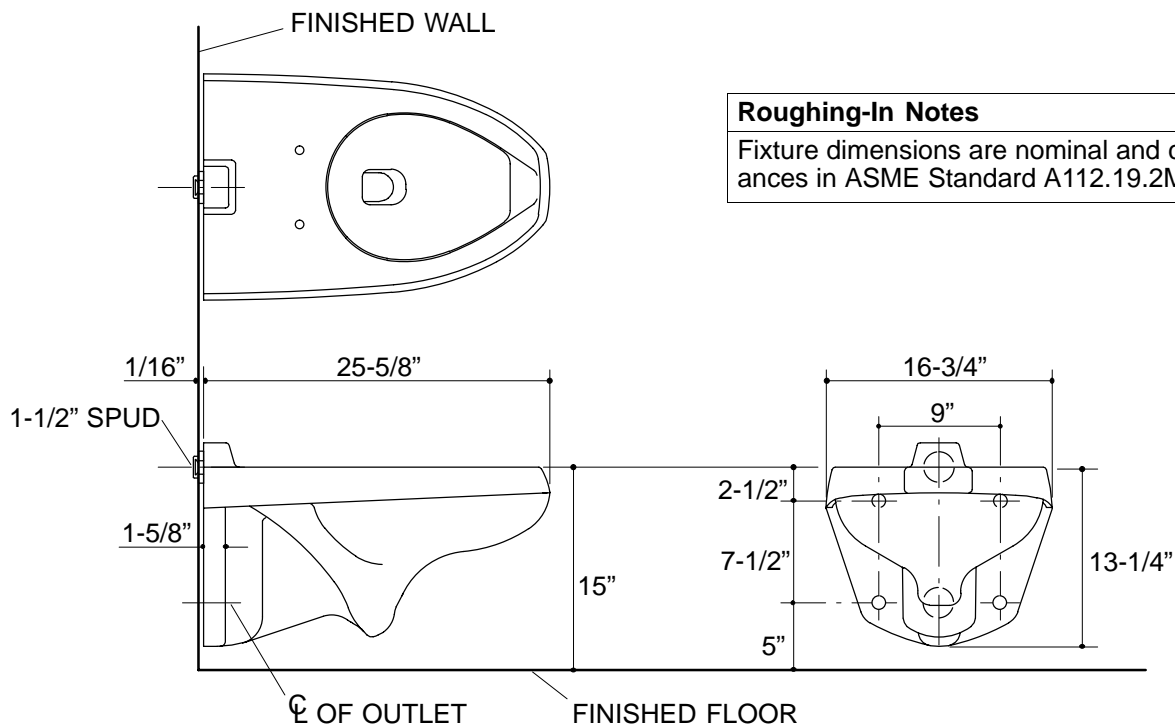


Ordering Information

Applicable product:		
Standard toilet	K-4329	shown
Toilet with bedpan lugs	K-4329-L	not shown
Accessories/hardware:		
Lustra seat	K-4670-C	recommended

Product Information

ADA compliant.	
Fixture:	
Configuration	Rear spud, elongated
Gallons per flush	1.6 gallons*
Spud size	1-1/2"
Passageway	2-1/4"
Water depth from rim	5-1/4"
Seat post hole centers	5-1/2"
* Designed to flush with 1.6 gallons of water when installed with a 1.6 gpf valve.	
Included Components:	
Spud	18357
Flush valve requirements: Refer to manufacturer and local codes.	



Roughing-In Notes
Fixture dimensions are nominal and conform to tolerances in ASME Standard A112.19.2M.