

Ordering Information

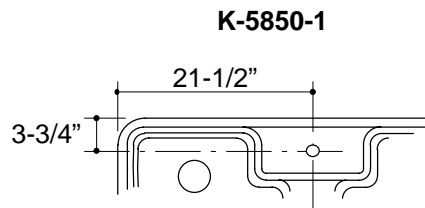
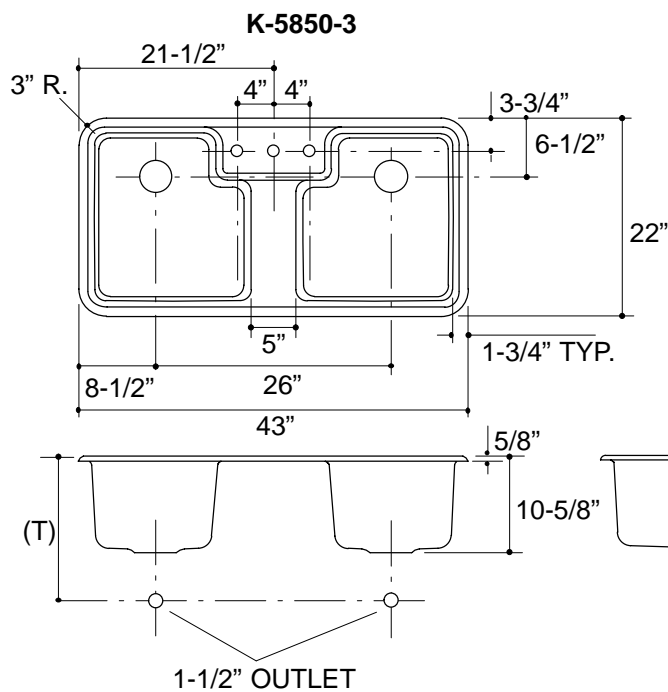
Applicable product:		
Three-hole sink	K-5850-3	shown
One-hole sink	K-5850-1	not shown
Accessories/hardware:		
Colander with saddle cover	K-5859	optional
Cutting board	K-5917	optional

Product Information

Fixture*:		basin area	water depth
Sinks		17" x 19"	9"
Outlet	3-5/8" D.		
Faucet holes	1-3/8" D.		
* Approximate measurements for comparison only.			

Installation Notes

Refer to installation instructions included with fixture before beginning installation.



Roughing-In Notes

Fixture dimensions are nominal and conform to tolerances in AMSE/ANSI Standard A112.19.1M.

(T) Drain typically 16".

Cutout 41-3/4" x 20-3/4" with 2-1/4" radius corners.

.75<116