

Ordering Information

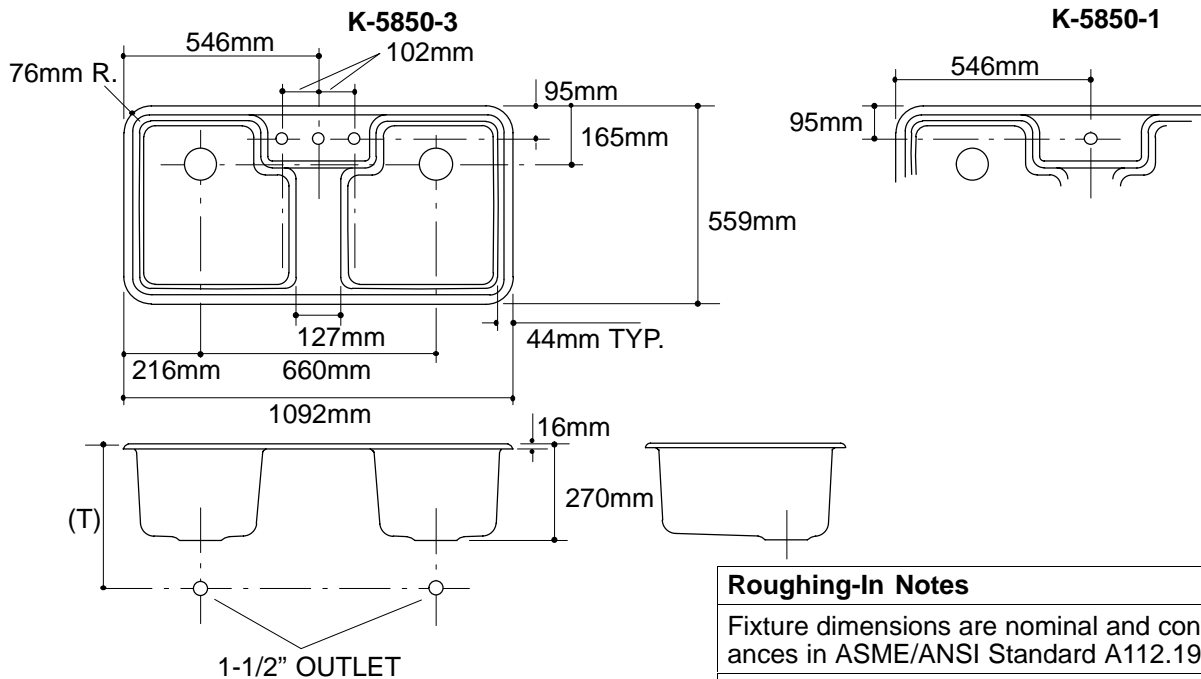
Applicable product:		
Three-hole sink	K-5850-3	shown
One-hole sink	K-5850-1	not shown
Accessories/hardware:		
Colander with saddle cover	K-5859	optional
Cutting board	K-5917	optional

Product Information

Fixture*:		basin area	water depth
Sinks		432 x 483mm	229mm
Outlet	Ø92mm		
Faucet holes	Ø35mm		
* Approximate measurements for comparison only.			

Installation Notes

Refer to installation instructions included with fixture before beginning installation.



Roughing-In Notes	
Fixture dimensions are nominal and conform to tolerances in ASME/ANSI Standard A112.19.1M.	
(T) Drain typically 406mm.	
Cutout	1060 x 527mm with 57mm radius corners.

.75<116