

**BATH AND SHOWER FAUCET
K-11618**

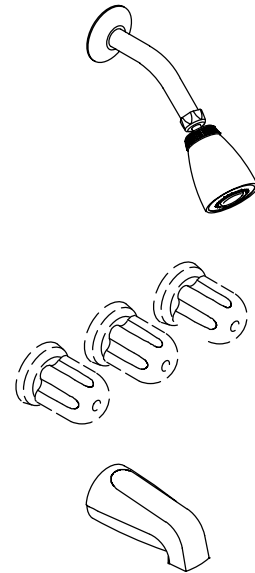
FEATURES

- Brass construction
- Brass valve bodies
- Compression valves
- 4-7/8" non-diverter spout with N.P.T. or slip-fit connection
- Integral diverter mechanism
- Available with metal or sculptured acrylic handles
- Adjustable escutcheons

CODES/STANDARDS APPLICABLE

Specified model meets or exceeds the following:


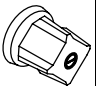
- ASME/ANSI A112.18.1M
- CSA B125
- IAPMO/UPC



COLORS/FINISHES

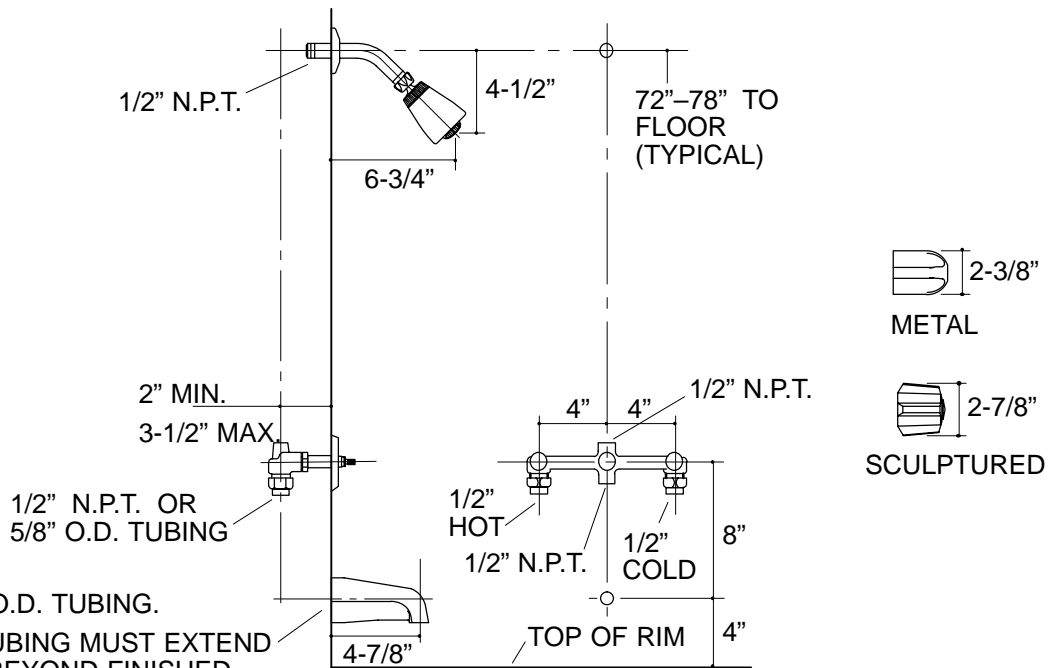
- CP Polished Chrome

SPECIFIED MODEL:

| Model | Description |  |  |
|------------------------------------|---|---|---|
| Metal Handles: | | | |
| K-11618-U | N.P.T. Non-Diverter Spout; N.P.T. Union Connections | <input type="checkbox"/> CP | |
| K-11618-UC | N.P.T. Non-Diverter Spout; Direct Sweat Union Connections | <input type="checkbox"/> CP | |
| K-11618-UD | Slip-Fit Non-Diverter Spout; Direct Sweat Inlets | <input type="checkbox"/> CP | |
| K-11618-UE | Slip-Fit Non-Diverter Spout; Direct Sweat Union Connections | <input type="checkbox"/> CP | |
| K-11618-US | Slip-Fit Non-Diverter Spout; N.P.T. Union Connections | <input type="checkbox"/> CP | |
| Sculptured Acrylic Handles: | | | |
| K-11618-P | N.P.T. Non-Diverter Spout; N.P.T. Union Connections | | <input type="checkbox"/> CP |
| K-11618-PC | N.P.T. Non-Diverter Spout; Direct Sweat Union Connections | | <input type="checkbox"/> CP |
| K-11618-PD | Slip-Fit Non-Diverter Spout; Direct Sweat Inlets | | <input type="checkbox"/> CP |
| K-11618-PE | Slip-Fit Non-Diverter Spout; Direct Sweat Union Connections | | <input type="checkbox"/> CP |
| K-11618-PS | Slip-Fit Non-Diverter Spout; N.P.T. Union Connections | | <input type="checkbox"/> CP |

PRODUCT SPECIFICATION:

Three-handle bath and shower faucet shall be of brass construction. Faucet shall feature brass valve bodies. Faucet shall also feature compression valves. Product shall include showerhead with arm and flange, 4-7/8" non-diverter spout with N.P.T. or slip-fit connection, integral diverter mechanism, metal or sculptured acrylic handles, and adjustable escutcheons. Optional features shall be N.P.T. or direct sweat connections. Faucet shall be Kohler Model K-11618-____-CP.



1/2" N.P.T. PIPE OR 5/8" O.D. TUBING.
 FOR SLIP-FIT SPOUT, TUBING MUST EXTEND
 1-1/2" MIN.; 2-7/8" MAX. BEYOND FINISHED
 WALL.

FOR N.P.T. SPOUT, PIPE MUST EXTEND 3-7/8"
 BEYOND FINISHED WALL.

PRODUCT DIAGRAM